

# Outdoor Shower Company, LLC

Dallas, Georgia

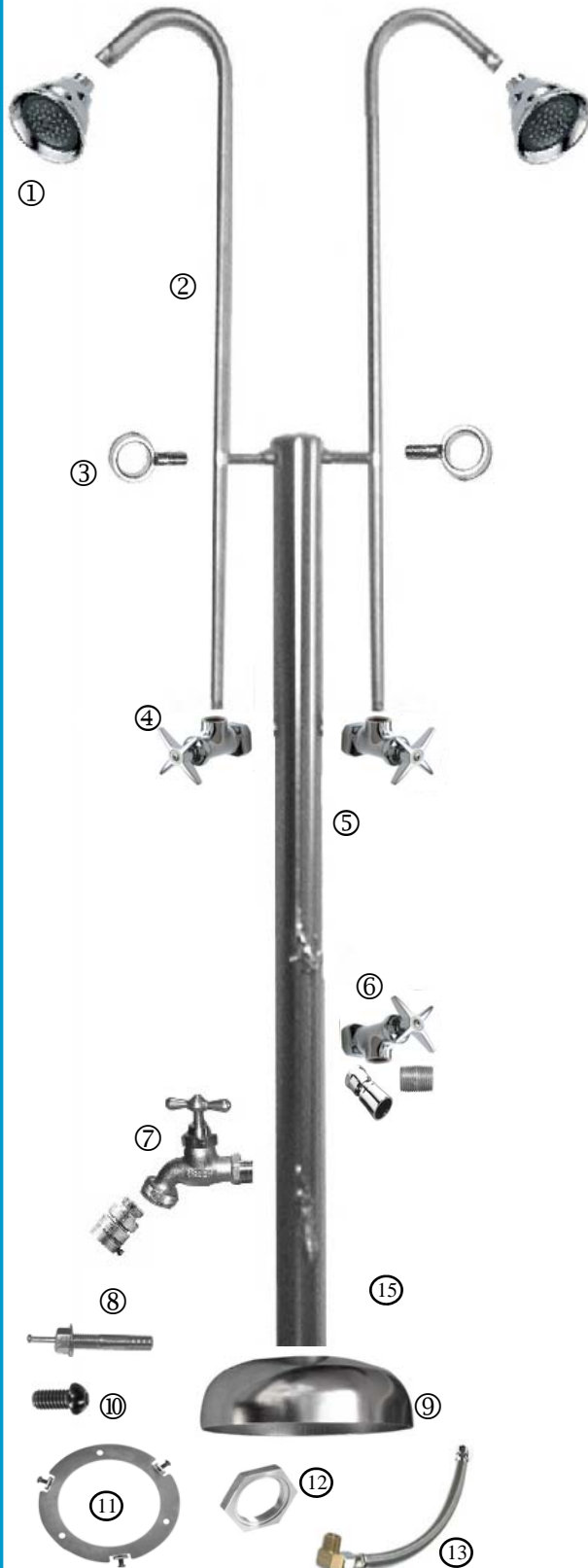
www.outdoorshowerco.com—1-866-shower1

Manufacturers of Quality Stainless Steel Showers



CHV FREE STANDING MULTIPLE SHOWER HEADS—PS-3200 - PS-3300 - PS-3400

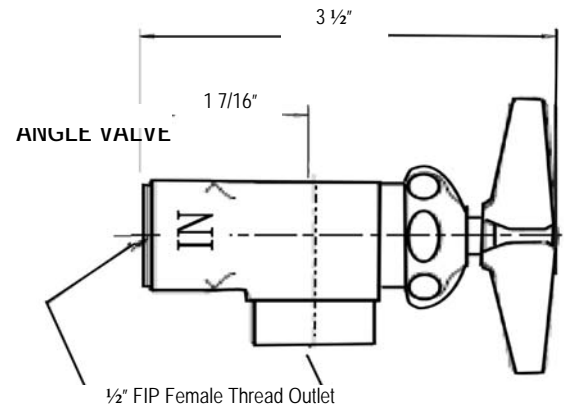
Accessories and components may vary due to availability and slight modifications by the manufacturer.



## PARTS LIST PS-3000-CHV SERIES:

- |      |               |  |
|------|---------------|--|
| (1)  | DEL-78        | 2.5 GPM Shower Head  |
| (2)  | SR-44         | ½"x44" Stainless Steel Riser   |
| (3)  | ROD/RING      | Stainless Steel Support Ring and Rod   |
| (4)  | SV-CHV-442-CF | ½" FPT Manual Turn Straight Valve  |
| (5)  | SB-60         | 2" Diameter X 60" long Stainless Steel Tubing  |
| (6)  | FSA-442-CHV   | Foot Shower: 2½xClose Stainless Steel Nipple, Manual Turn Cross Handle Valve, 1", Aerating Shower Head |
| (7)  | HB-158        | ½"MIP x ¾"MHT Chrome Plated Hose Bibb w/Vacuum Breaker   |
| (8)  | AB-38-MS      | 3 Carbon Steel Anchor Bolts—¾" X 2-3/8"  |
| (9)  | SSBC-845      | 8 ¾" Diameter Stainless Steel Base Cover   |
| (10) | BHS-516       | 5/16" Button Head Socket Head Screws (3)   |
| (11) | BLN-34        | ¾" LockNut   |
| (12) | BCP-878       | 8 7/8" Dia Stainless Steel Base Plate - 6" Center  |
| (13) | FCH-12-SP     | 12" Flexible Stainless Steel Connector Hose with 90° Elbow   |

## CROSS HANDLE ANGLE VALVE



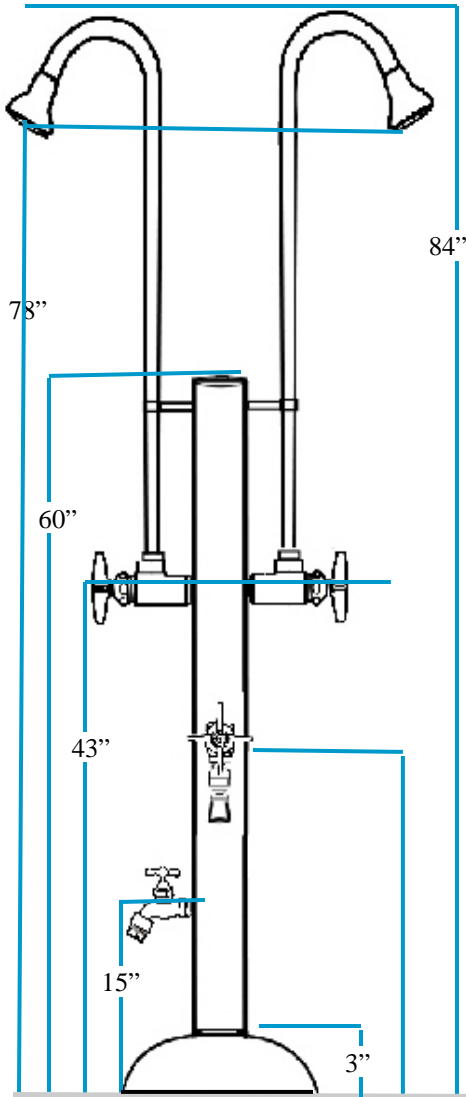


**Outdoor Shower Co., LLC**  
 Dallas, Georgia  
 www.poolshower.com  
 1-866-shower1

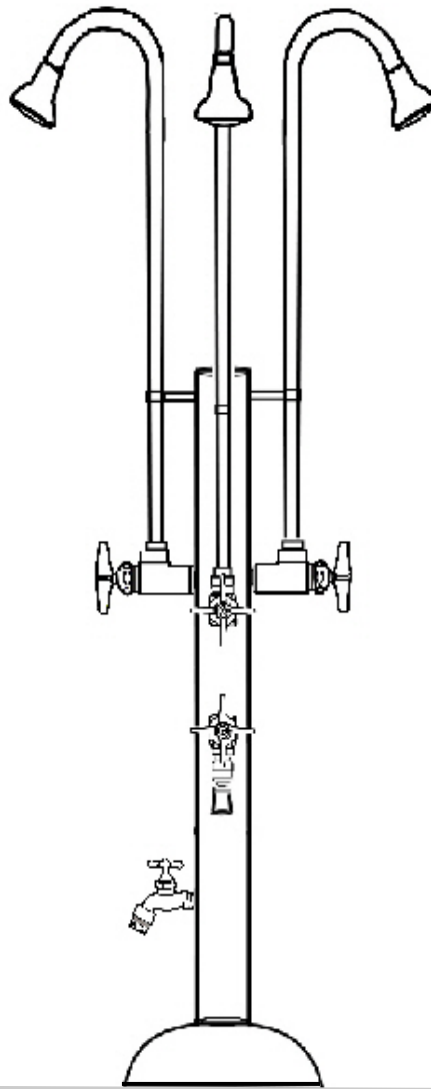
- PS-3200 — PS-3300—PS-3400**
- MANUAL TURN CROSS HANDLE VALVE
  - FREE STANDING
  - COLD WATER

All units available without Foot Shower and/or Hose Bibb

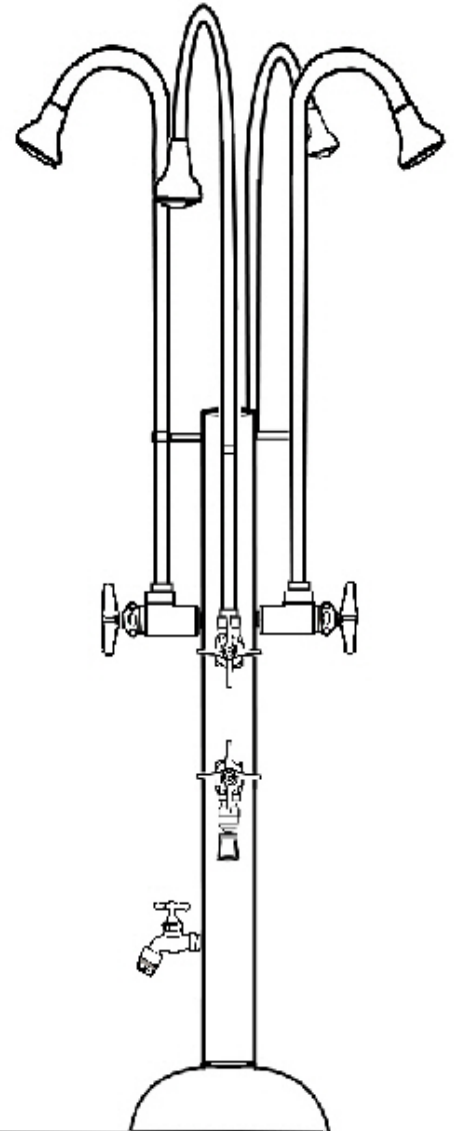
**PS-3200-CHV  
 2 SHOWER HEADS**



**PS-3300-CHV  
 3 SHOWER HEADS**



**PS-3400-CHV  
 4 SHOWER HEADS**



FLOORING SURFACE

**TECHNICAL DATA:**

- FREE STANDING UNIT
- CROSS HANDLE MANUAL TURN CHROME PLATED BRASS VALVES
- 304 SCH 40 SS 1/2" X 40" RISER
- 304 STAINLESS STEEL TUBING 2" X 60" BASE
- 304 STAINLESS STEEL BASE & BASE PLATE
- 2.5 GPM CHROME PLATED BRASS SHOWER HEAD
- CHROME PLATED BRASS HOSE BIBB W/VACUUM BREAKER
- STAINLESS STEEL SUPPORT BRACKETS

- ASME A112.18.1 COMPLIANT
- CSA B125 COMPLIANT
- CSA B 64.2 COMPLIANT
- ANSI/NSF Std. 61-1999a



www.outdoorshowerco.com

1-866-746-9371

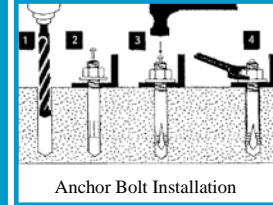
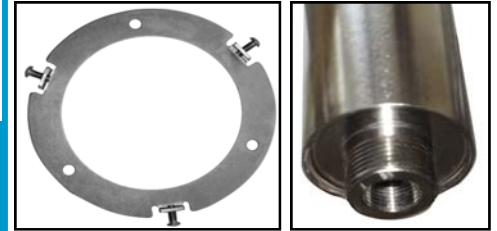
Fax: 678-363-8391

## Free Standing Cold Water Shower Units Base Installation

You will need:

- 9/16" wrench and crescent wrench
- Hammer
- Roto Hammer - 3/8" drill bit
- Teflon Tape

1. Stand the unit at the desired location for installation.
2. Using the base plate as a guide, mark the placement of the drill holes. 3, 3/8" holes, 3" deep
3. When bolts are in place and base plate is leveled, hit the pin of the bolt with a hammer, locking it into place. (**Base Plate must be level.** Stainless steel washers may be used under base plate if needed for leveling.) Tighten nuts.
4. Attach 1/2" water supply line to 1/2" end of 12" braided hose.
5. Set 2"X60" base onto base cover with end of pipe in circular ridge. Attach with 3/4" lock nut.
6. Attach 3/8"X3/8" brass compression elbow to opening at base of unit.
7. Flush lines before installing valves. Debris in water line can cause valves to malfunction.
8. Stand unit in upright position and attach base to base cover using button head cap screws.
9. Attach hose bibb, foot shower, support brackets, and angle valves to designated ports using Teflon tape.
10. Slide risers through support bracket rings and attach to angle valves using Teflon tape on threads.
11. Connect shower riser to upper inlet on angle valve using Teflon tape on threads.
12. Install shower heads at end of shower riser. Use of Teflon tape is not needed.



**WINTERIZING:** It is recommended that a shut-off valve be installed in the supply line. The shower unit should be blown out, and it is recommended that accessories, valve cartridges, and shower heads be removed and stored. Easy installation makes it possible to store the entire unit indoors in harsh weather conditions. **FREEZE DAMAGE IS NOT COVERED BY THE WARRANTY.**

### NOTE:

**Flush Supply lines before installing valves and accessories in order to remove chips and dirt which can become lodged in the seat washer and cause the unit to malfunction.**

### HOSE BIBB WITH VACUUM BREAKER

- 1/2" MIP Inlet
- 3/4" Female Hose Connection
- 3/4" Chrome Plated Vacuum Breaker
- Polished Chrome Finish
- Red Brass and Stainless Steel

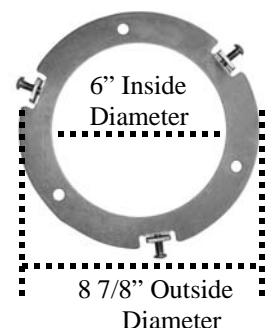
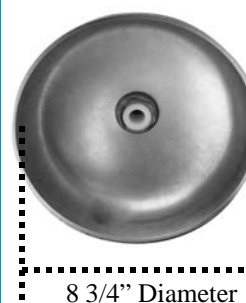


### CROSS HANDLE FOOT SHOWER:

- CHROME PLATED BRASS 1/2" ANGLE VALVE
- 1/2" X CLOSE STAINLESS STEEL NIPPLE
- 2.5 GPM 1" AERATING SHOWER HEAD



### BASE COVER AND BASE PLATE



# WARRANTY / RETURN POLICY MAINTENANCE



All items manufactured by Outdoor Shower Company, LLC . are manufactured in Dallas, Georgia, and we guarantee 100% customer satisfaction. Only the finest stainless steel materials are used. Each piece is individually crafted and is electro-polished, which smoothes, polishes, and deburrs the product surface, making it easier to clean and resistant to contamination.

Stainless steel materials come with a ten (10) year limited warranty against defect and workmanship. All accessories not manufactured by Outdoor Shower Company, LLC . are covered by warranty for a period of two (2) year from the receipt by the original purchaser. This warranty will become void if merchandise is damaged, improperly maintained or installed, or modified without the authorization from our licensed distributor.

The warranties include replacement or repair of defective parts and an unconditional guarantee against manufacturing defects. The company will replace or repair at its option any equipment manufactured or supplied as part of our merchandise found to be defective if the conditions are met. Any shipping fees associated with the return or replacement of merchandise covered by this warranty will be incurred by Outdoor Shower Company, LLC . **We reserve the right to determine if damage to a unit or any parts is the direct cause of not complying with manufacturer's guidelines. Special Order non-stock items are NOT returnable.**

**WARNING: FREEZE DAMAGE is NOT covered by the warranty.**

**It is very important to winterize outdoor showers. Just like water faucets and hose bibbs, they are susceptible to freeze damage. The unit(s) must be drained in freezing conditions. In extremely cold temperatures it is advisable to remove faucets and hose bibbs and store them during winter months. Vented plugs are available through Outdoor Shower Company, LLC .**

Although care was taken in the design and manufacture of your new pool shower to ensure it's safe operation, we accept no responsibility for the improper use or installation of equipment, as it is no longer in our control. Buyers have the right of inspection, approval, and acceptance within thirty days of arrival.

We will not be responsible for transportation or labor for items returned for repair or replacement of parts where the merchandise was not properly installed or maintained. An authorized distributor must request a Return Authorization Form from Outdoor Shower Company, LLC and submit it before the return can be approved. A 20% re-stock fee and the cost of shipping will be withheld on returns.

Our Customer Service Department is available for ordering replacement parts or if it should become necessary for you to return your Pool Shower unit. We can also repair or replace damaged parts for a minimal fee. Call **678-363-3939** or **1-866-SHOWER1** for return authorization and instructions, or E-mail us at **info@outdoorshowerco.com**.

Additional information is available at [www.outdoorshowerco.com](http://www.outdoorshowerco.com).

**CAUTION:** Where outdoor temperatures reach more than 90 degrees use caution to prevent burns to skin from scalding water. When a shower unit is connected to an exposed water hose, it is recommended that a light colored hose be used in order to reduce solar gain and keep water temperature inside the hose near the ambient temperature. Water is stored in the body of the shower unit when not in use, and although the patented satin finish on our stainless steel components has minimal solar gain, in warm climates water temperatures inside the hose or shower unit can reach more than 110° which can result in minor burns to delicate skin tissue.

**HOT & COLD SHOWER UNITS:** Some states require Pressure Balancing Valves for hot & cold valves. These are available through any plumbing supply company and can be added to the water supply lines feeding into the shower valve. When hot water is used for bathing it is always recommended that the temperature on the water heater be set at 110° or less in order to prevent the risks of minor burns from scalding water.

Outdoor Shower Company, LLC . does not accept responsibility for bodily injury caused from improper use of its equipment or failure to use caution when operating the shower unit(s). It is recommended that the shower unit(s) be turned on for 30 seconds before contact with water spray in order to avoid accidental scalding and ensure safe use of this product.

Stainless steel does not "rust" as you think of regular steel rusting with a red oxide on the surface that flakes off. If you see red rust it is probably because the product was contaminated, steel or iron scratched the surface, and particles became embedded in the surface. These particles are much less corrosion resistant than the stainless steel and rust, making it appear that the stainless steel is rusting. Stainless steel should never be cleaned with steel wool or an abrasive cleaner. Brillo and S.O.S. pads are made of steel wire. Iron particles from these pads will contaminate the surface. NEVER use an iron-based product on stainless steel. Damp steel or cast iron can be left behind causing the stainless steel to stain (rust). In most cases, light staining can be removed with a fine abrasive cleaner, scouring powder, or non-metallic abrasive scouring pad such as a Scotch Brite® pad. Apply the cleaning product in the same direction as the polish to minimize damage. Stainless Steel cleaner is suggested and can be purchased at most home improvement stores. WD-40 is also an excellent cleaner and polisher of stainless steel. If there are obvious polishing lines rub in the same direction as the grain of the steel to minimize surface finish damage.