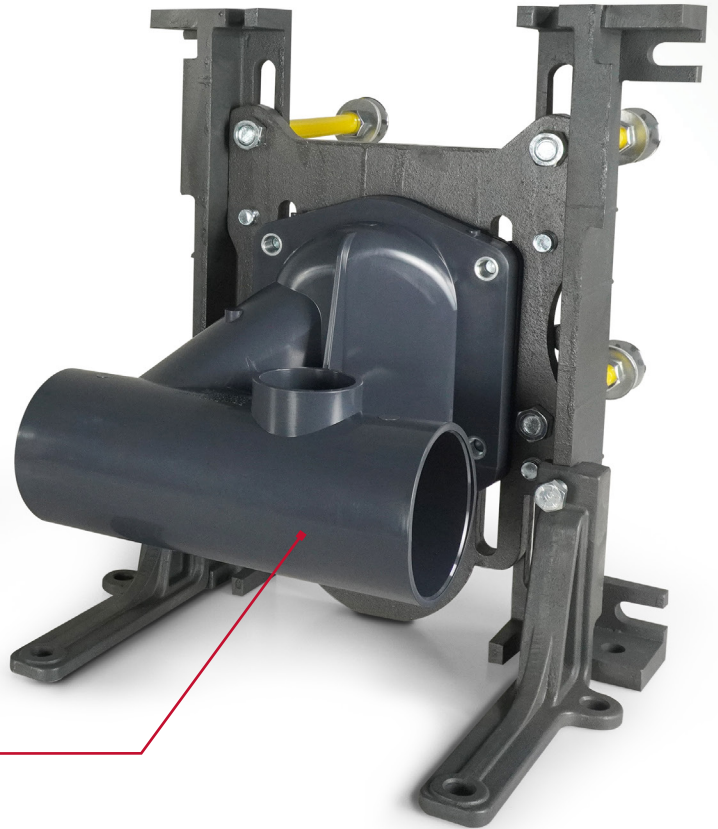


Closet Carriers

 with PVC Fitting

Patent Pending



**The Industry's First
PVC Fittings
for Water Closet Carriers!**

PVC Waste Fittings

Lighter fittings reduce the weight of each fixture by 14%. Carriers are easier to ship, handle, prefab, and install.

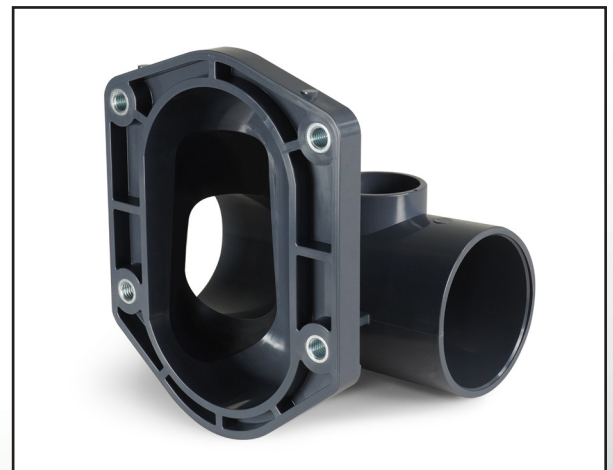
PVC material is corrosion-resistant and impervious to sewer gases. Rated V-0 per UL94

Innovative Design

Reinforced leg supports eliminate the need for a rear anchor in applications up to 500lbs.

Coupling with integral gasket installs easily and makes positive seal with faceplate.

The rugged, one-piece PVC waste fitting is **Made in the USA**



Supply

Drainage

Support

Specialties

www.siouxchief.com

TAKE THE FIELD.





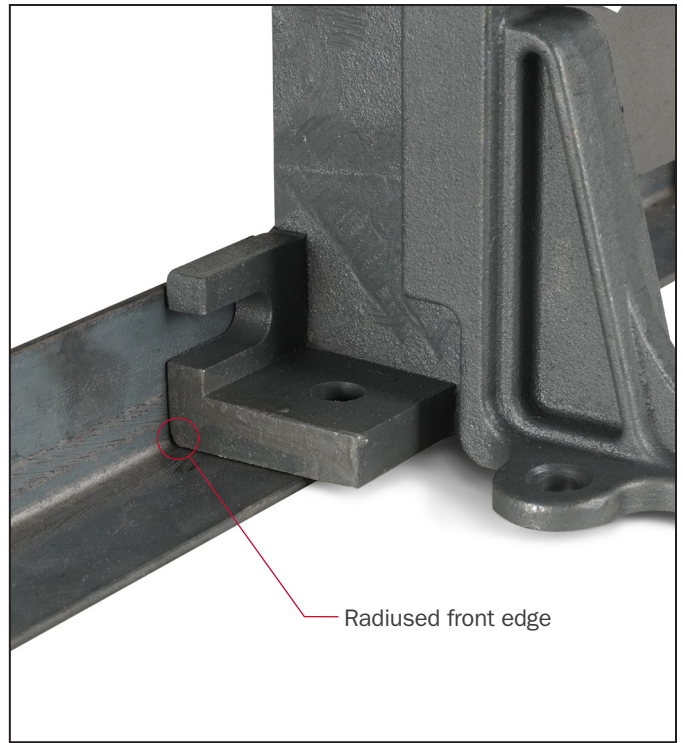
Smooth walls mean better flow! PVC fitting transports effluent faster and more completely than fittings with a rougher surface.



Newly-designed ABS couplings include knockout test cap and integrally-molded, TPR gasket, which seals tight with corresponding taper on faceplate.



Gasket includes gripping fins to hold fitting screws, keeping both gasket and screws in place during assembly. 'UP' indicator prevents misalignment.



Legs are designed with a radiused front edge and machined-flat surfaces, allowing them to match up tightly with angle iron for prefab applications.

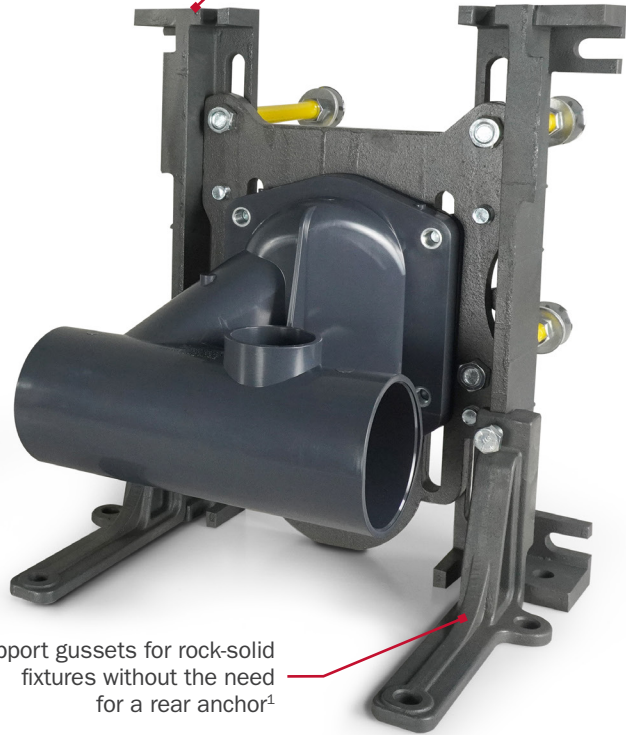
New Faceplate DESIGNED FOR USE WITH PVC FITTINGS

Narrow faceplate design is more compact than most other carriers



4" pipe-size ABS coupling with integral gasket seals tight to the faceplate

Reversible legs offer multiple options for mounting the top to strut or angle iron



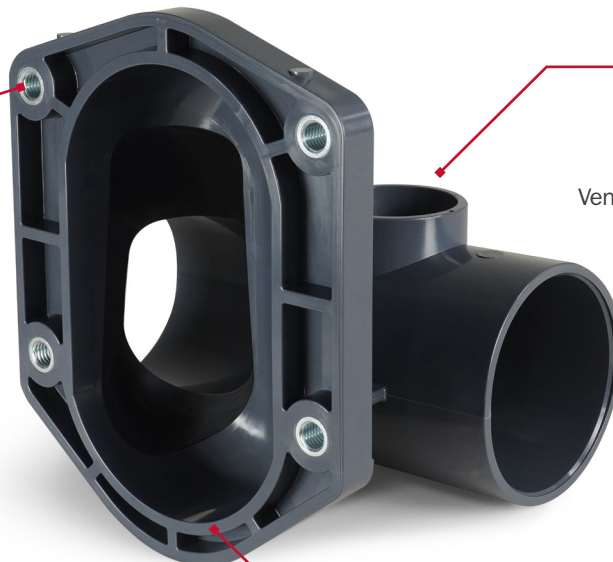
Support gussets for rock-solid fixtures without the need for a rear anchor¹

¹ Carriers with PVC fittings are approved for use in installations up to 500-lbs. Leg support gussets MUST be properly attached and anchored to the floor when using a PVC fitting

PVC Waste Fitting

Fittings are engineered with a rugged design and made from durable, impact and corrosion resistant PVC material

Zinc-plated steel thread inserts ensure a tight seal between fitting and faceplate – No damage to the fitting when screws are tightened!



Vent connection saves time and material cost – Eliminates a No-Hub coupling!

Sealing rim makes full contact with the fitting gasket for a positive seal

Other Fixture Carriers & Accessories *available from Sioux Chief...*

Water Supply Brackets



A full line of carrier brackets

Lav & Urinal Carriers

Concealed-arm and plate-type carriers for lavatories, urinals and water coolers



Water Closet Carriers

with cast iron fittings for heavy-duty (750lbs) or bariatric (1,000lbs) applications



Copper Stub Outs

3/4" & 1" preformed copper stub outs

837-S12



837-PHSLT



837-TF



Options:

T = 12" long ABS coupling in lieu of 6" (standard)

Buying Information

ITEM NO.	DESCRIPTION	MIN. QTY.	CASE QTY.
CARRIERS			
837-PHSL	LEFT inlet - Horizontal Water closet carrier with PVC fitting - Standard (500lbs. max)	1	1
837-PHSR	RIGHT inlet - Horizontal Water closet carrier with PVC fitting - Standard (500lbs. max)	1	1
ACCESSORIES			
837-TF	Finish tiling frame for closet carrier - ABS	1	20
837-S06	6" long ABS carrier coupling with integral gasket ¹	1	1
837-S12	12" long ABS carrier coupling with integral gasket ¹	1	1
521-725	Copper-plated carrier bracket with 1" CTS hole	5	5
521-728	Copper-plated carrier bracket with 1" CTS notch	5	5
624-L08	1" M.SWT x 8" long spun-closed copper stub out	30	30
624-L12	1" M.SWT x 12" long spun-closed copper stub out	30	30

1 A 6" or 12" ABS coupling is included with the carrier assembly

Thermostatic Mixing Valves

120 Series wall
mount model



696 Series OxBox™
access model



Safe & Effective

Ensures proper thermostatic mixing to eliminate scalding.

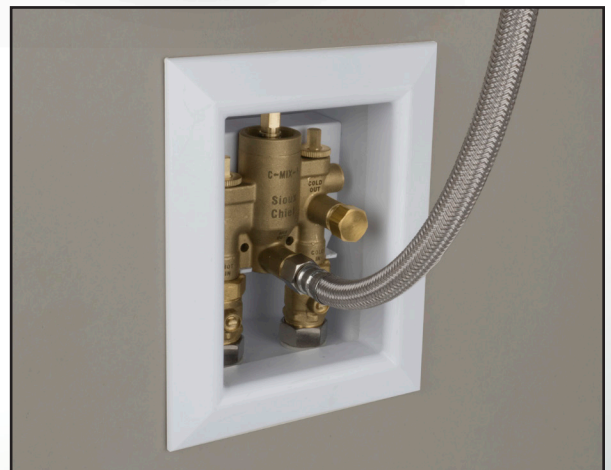
Hot water temperature can be set high enough to control Legionella while maintaining safe temperatures at the point of use.

ASSE 1070 approved

Quality Materials

DZR and SCC resistant brass, EPDM o-rings/gaskets, stainless steel and engineered polymer internal components

OxBox™ models keep valves out of the way and protected under commercial lavatories. Frames provide a professional-looking finish



Supply

Drainage

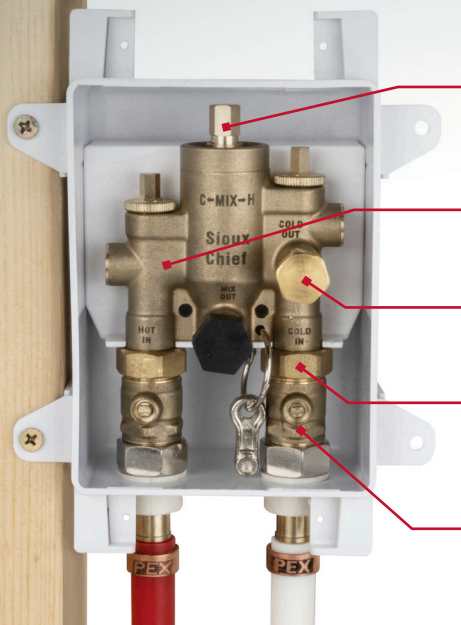
Support

Specialties

www.siouxchief.com

TAKE THE FIELD.





Temperature adjustment stem is 3/8" hex. All valves are tested and preset to 105° F

Integral check valves and 60-mesh, stainless steel sediment screens

Standard cold-bypass outlet with brass cap for optional use

Swivel connection with EPDM gasket seal allows easy valve removal for service or replacement.

Integral isolation valves (696 models) with chrome-plated key/handle included, or operate with screwdriver slot

Technical Specs

Operating Pressure:
30 PSI - 125 PSI

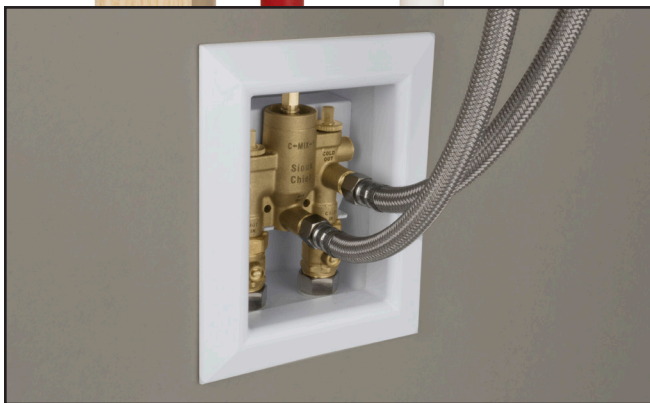
Max Test Pressure: 150 PSI

Cold Inlet Temperature:
39° - 85° F

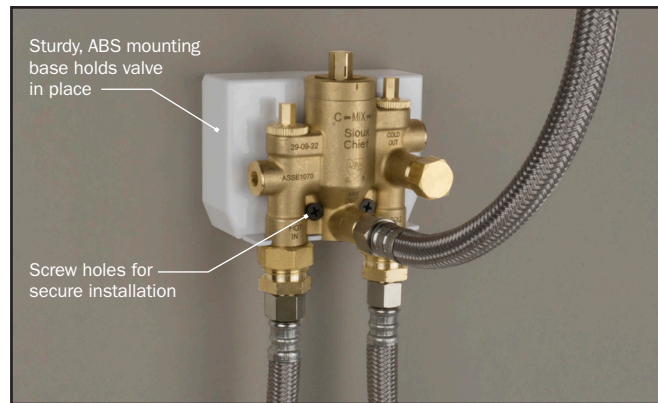
Hot Inlet Temperature:
120° - 180° F

Flow Rate:
0.25 GPM - 4 GPM

Max Differential Pressure:
25% (hot to cold)



Standard cold bypass provides installation flexibility. Connect the single 'MIX' outlet to sensor faucets, or run 'MIX' to the hot side and bypass to the cold side of a standard lav faucet.



The 120-TM3F includes an ABS mounting base and screw holes for solid wall installations. 3/8" compression inlets for connection to existing stop valves.

Buying Information

ITEM NO.	DESCRIPTION	MIN. QTY.	CASE QTY.
MIXING VALVE with MOUNTING BASE			
120-TM3F	3/8" compression inlet connection - Mixing valve with 3/8" compression 'MIX' and cold-bypass outlets	1	10
MIXING VALVE with OxBox™ ACCESS BOX¹			
696-T2001CR	1/2" CPVC Male connection - Mixing valve with 3/8" compression 'MIX' and cold-bypass outlets	1	10
696-T2001PR	1/2" MSWT/Press/Push connection - Mixing valve with 3/8" compression 'MIX' and cold-bypass outlets	1	10
696-T2001WR	1/2" F1960 PEX connection - Mixing valve with 3/8" compression 'MIX' and cold-bypass outlets	1	10
696-T2001XR	1/2" F1807 PEX connection - Mixing valve with 3/8" compression 'MIX' and cold-bypass outlets	1	10
MIXING VALVE REPAIR KITS			
120-TM3F-1	Internal debris screen replacement kit - 2 screens/bag	1	500
120-TM3F-2	Piston replacement kit - 1/bag	1	300
120-TM3F-3	Check valve replacement kit - 1/bag	1	500
ACCESSORIES			
696-1F	Beveled finish frame - white ABS. Fits all 696 models	10	10
696-EX	Finish frame extension (included with all 696 models)	10	10
696-BC	Galvanized steel U-clip for stud mount	10	10
525-6917	Galvanized steel flat bracket for mounting between studs	100	100

¹ Includes 696-EX frame extension and debris cover

TankBracket™

 Expansion Tank Support



Strong

18-gauge, galvanized steel is corrosion-resistant and provides safe, secure expansion tank installations

Nylon straps (included) keep tanks firmly in place, while the sturdy support base bears the weight of the tank

Prevents undue stress on threaded joints and other connections

Versatile

Wall-mount and tank-mount models available

Supports large (5-gal.) and small (2-gal.) expansion tanks, with connection nipple at top or bottom

Works with any water heater restraints, or seismic/safety straps up to 1.75" wide

 **Made in the USA**

Supply

Drainage

Support

Specialties

www.siouxchief.com

TAKE THE FIELD.



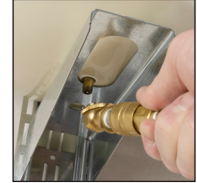
Suspension beam hooks around water heater nipple for easy heater-mount installations
(3-pc model only)

Multiple screw holes for wall-mount applications

Slots for nylon securing straps (included) also work with any water heater restraints up to 1.75" wide



Heavy-duty support base attaches securely to mounting column



Opening in support base provides access to tank's air valve for charging



Attach the mounting column of the 2-pc. model using two or more screws (drive screws into studs) to support tank on an adjacent wall

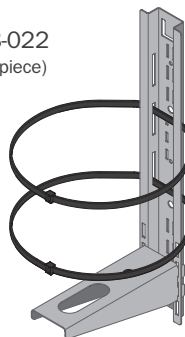


Hook the suspension beam of the 3-pc. model to the water heater nipple to support tanks vertically against the side wall of the heater tank.

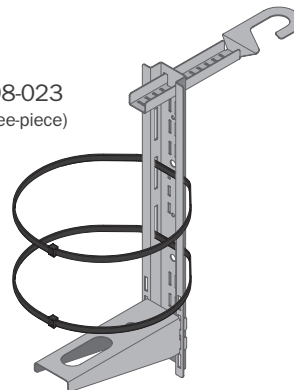


Support base allows tank to be installed with connection on bottom for applications where tank is above heater

598-022 (two-piece)



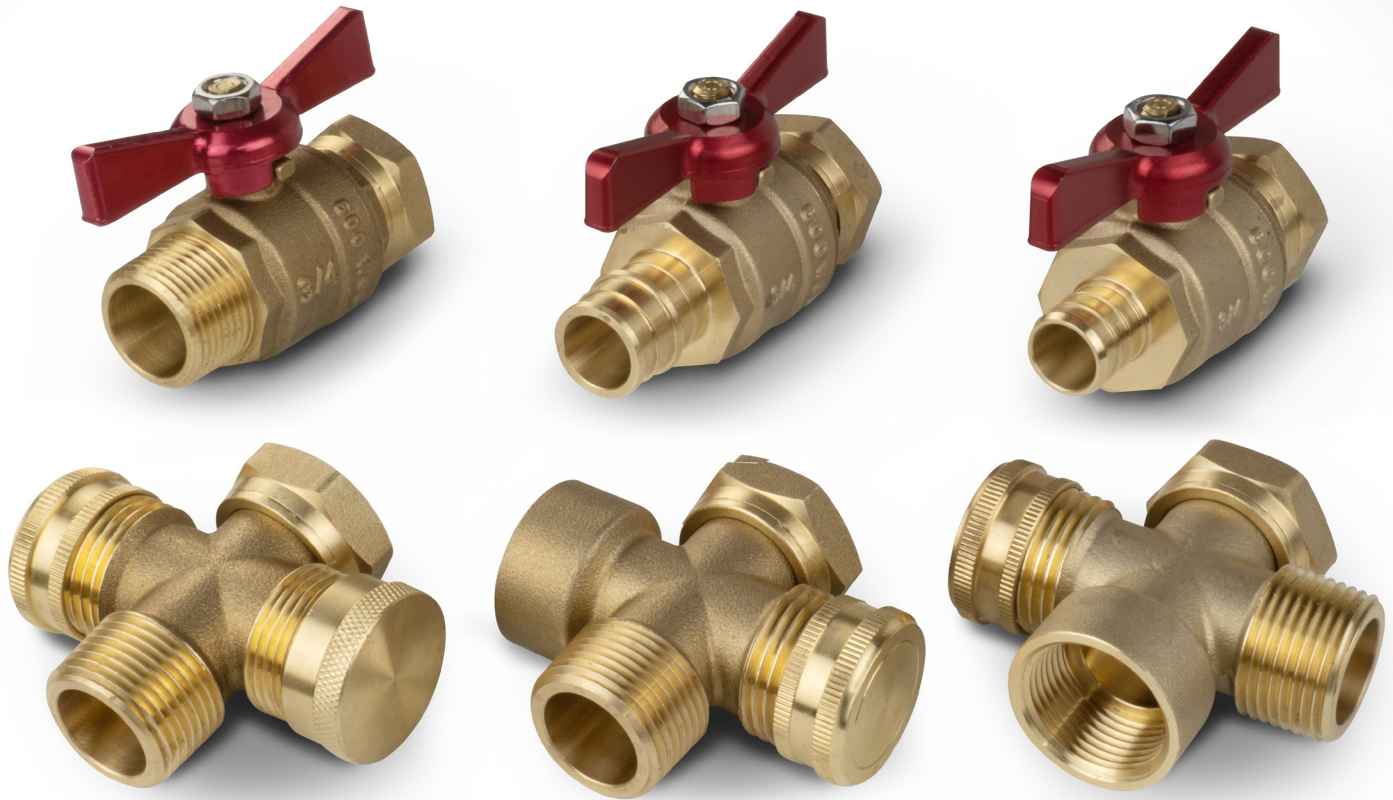
598-023 (three-piece)



Buying Information

ITEM NO.	DESCRIPTION	PKG	MIN. QTY.	CASE QTY.
EXPANSION TANK SUPPORT				
598-022	2-Piece TankBracket™ with Nylon Straps (2) for Wall Mount	BI	10	10
598-023	3-Piece TankBracket™ with Nylon Straps (2) for Heater Mount	BI	10	10

Water Heater Accessories



Saves Time - Reduces Liability

Solid brass cross components replace multiple fittings and solder joints.

Consistent, repeatable installations are clean, solid, and professional-looking

Quality Materials

Brass material is resistant to dezincification and stress-corrosion cracking.

FIP swivel threads with EPDM sealing gaskets.

Full-port ball valves with large, anodized aluminum handles are easy to operate



Supply

Drainage

Support

Specialties

www.siouxchief.com

TAKE THE FIELD.



Cross Adapters

687-3SFMH



3/4" FIP Swivel¹ x 3/4" FIP
x 3/4" MIP x 3/4" MHT (cap)

687-3SMFH



3/4" FIP Swivel¹ x 3/4" MIP
x 3/4" MHT (cap) x 3/4" FIP

687-3SMMH



3/4" FIP Swivel¹ x 3/4" MIP
x 3/4" MIP (cap) x 3/4" MHT (cap)

Cross Adapter Kits

687-3SMKIT2 (shown)

Perfect for tankless installations

Kit includes: 648-3SM (2), 687-3SMMH, 687-3SMFH

Easy-to-Grip, anodized aluminum T-handle

MHT connections include brass cap with gasket

FIP Swivel fitting¹ with EPDM seal allows you to position the tank, recirculation line, and drain port in any orientation desired

600 WOG

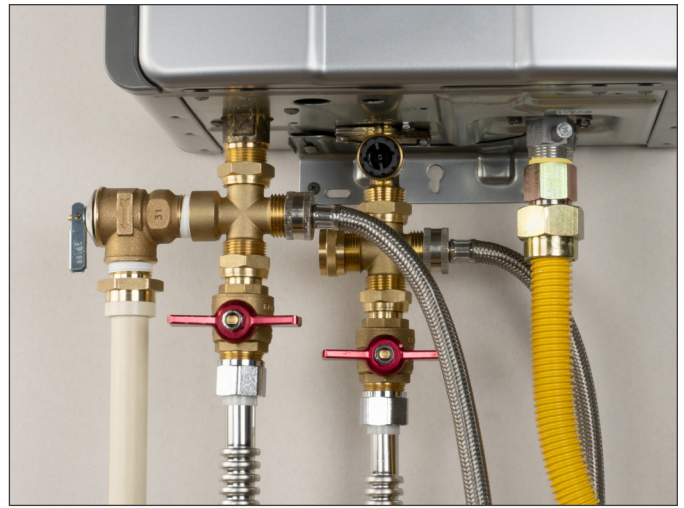
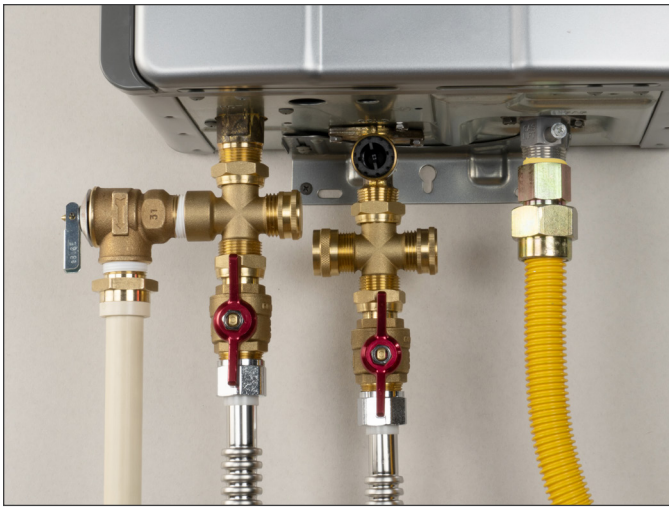
Full-Port valves ensure code compliance at the water heater and any other required locations

All MIP connections are designed to accept check valve assemblies (687-3CVKIT) as needed.

Brass material is resistant to dezincification and stress-corrosion cracking



¹ Do Not use pipe dope or thread tape on FIP swivel threads



Works with tankless heater installations. Makes connecting lines for routine delime/descale process much easier – valves isolate tank, while crosses provide convenient hose connections.



Install a whole-house thermostatic mixing valve quickly and easily with a cross adapter.



Easily connect expansion tanks. The TankBracket™ (598-023 shown) supports units directly on heater.

600 WOG Ball Valves

648-3SM



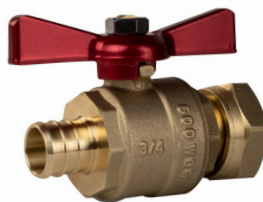
3/4" FIP Swivel¹
x 3/4" MIP

648-3SW



3/4" FIP Swivel¹
x 3/4" F1960 PEX

648-3SX



3/4" FIP Swivel¹
x 3/4" F1807 PEX



¹ Do Not use pipe dope or thread tape on FIP swivel threads

Other Water Heater Accessories available from Sioux Chief...

Water Heater Connectors



A full line of connectors to suit *any* application

Tube Insulation

Closed-cell foam insulation in a wide range of IDs and wall thickness



TankBracket™

Unique, rock-solid expansion tank support system - for wall or water heater mount

Thermal Expansion Relief Valves

Full-port ball valves comply with model code requirements for thermal expansion control



687-3SFMH



687-3SMFH



687-3SMMH



687-3SMKIT



648-3SW

» Buying Information

ITEM NO.	DESCRIPTION	MIN. QTY.	CASE QTY.
CROSS ADAPTERS			
687-3SFMH	Brass Cross Adapter - 3/4" FIP Swivel ¹ x 3/4" FIP x 3/4" MIP x 3/4" MHT (with brass cap)	5	25
687-3SMFH	Brass Cross Adapter - 3/4" FIP Swivel ¹ x 3/4" MIP x 3/4" FIP x 3/4" MHT (with brass cap)	5	25
687-3SMMH	Brass Cross Adapter - 3/4" FIP Swivel ¹ x 3/4" MIP x 3/4" MIP (with brass cap) X 3/4" MHT (with brass cap)	5	25
CROSS ADAPTER KIT			
687-3SMKIT	Cross Adapter Kit - Includes: 648-3SM, 687-3SMFH, 687-3SMMH	5	25
687-3SMKIT2	Cross Adapter Kit - Includes: 648-3SM (x2), 687-3SMFH, 687-3SMMH	5	20
BALL VALVES			
648-3SM	600 WOG Brass Ball Valve - 3/4" FIP Swivel ¹ x 3/4" MIP	5	25
648-3SW	600 WOG Brass Ball Valve - 3/4" FIP Swivel ¹ x 3/4" F1960 PEX	5	25
648-3SX	600 WOG Brass Ball Valve - 3/4" FIP Swivel ¹ x 3/4" F1807 PEX	5	25
CHECK VALVE KIT			
687-3CVKIT	Check Valve Kit - Includes two check valves for installation into ID of MIP cross connections	1	400

¹ Do Not use pipe dope or thread tape on FIP swivel threads



Freestanding Tub Drain



Fast

Eliminates 'stub ups' – simple, rough-in installation

Universal

Can be used with center and offset tub outlets

Choose brass or polypro tailpieces (provided)

Compact

Fits inside tight spaces or joist cavities – perfect for new or remodel applications

Tub drains provide an easy way to connect the outlet of a freestanding tub to the drainage system through the subfloor



Supply

Drainage

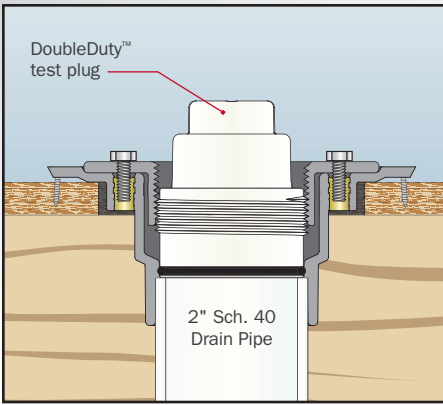
Support

Specialties

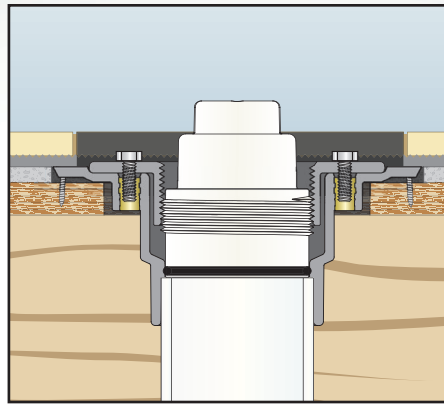
www.siouxchief.com

TAKE THE FIELD.

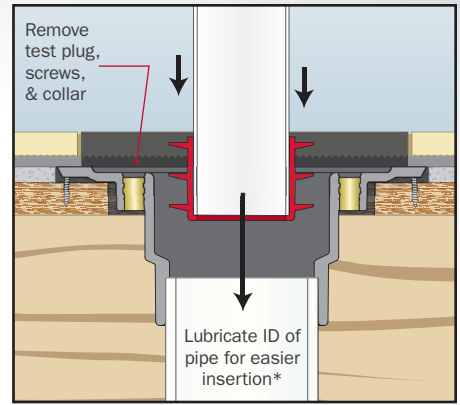




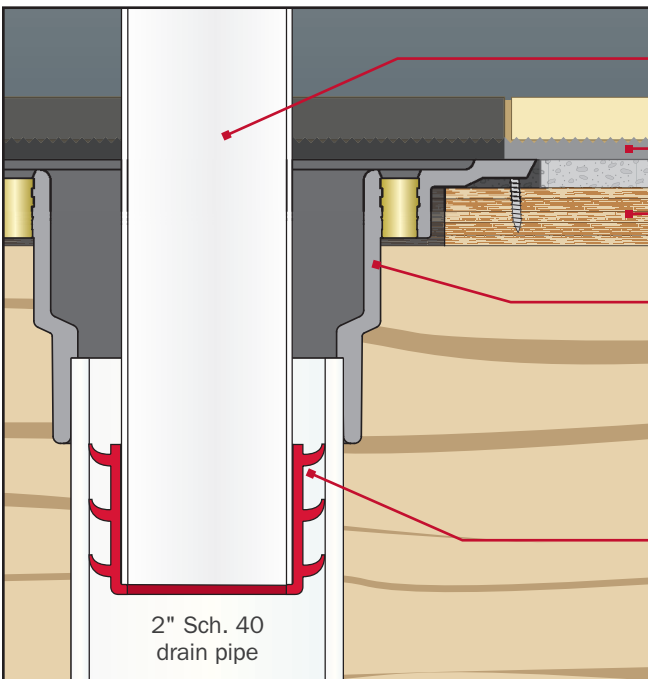
Set drain body and fasten to sub floor. Connect drain pipe and test using the DoubleDuty™ test plug (included).



Install tile/finishing as desired. The test plug can remain in place to protect drain line from construction debris.



Attach gasket and connect tailpiece to the tub outlet. Align with drain body and lower tub into place. The gasket pushes in to seal inside the 2" drain pipe.



Tubular tailpiece - 1 1/2" brass or poly
Connect to tub outlet

Tile/thinset, or other finish floor layers

Subfloor

Drain body - ABS or PVC with
2" Sch. 40 hub connection

Includes screws/collar for DoubleDuty™ test
plug - Remove collar before lowering tub and
tailpiece/gasket into place

Tailpiece gasket installs over end of brass
or poly tailpiece. Gasket pushes in and
seals inside drain pipe.

* Lube is not required, but must be compatible with plastics if used.



819-2A



819-2P

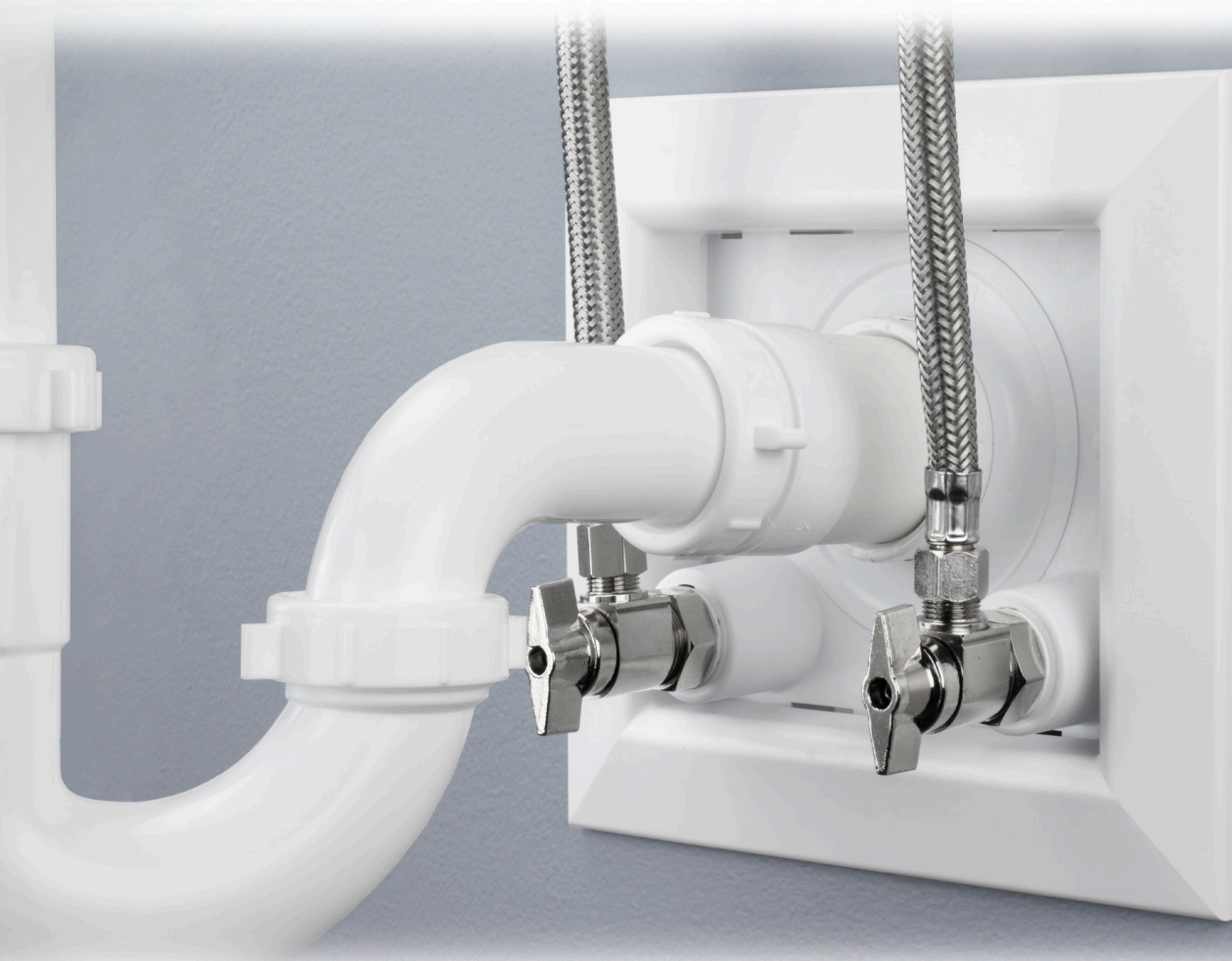
» Buying Information

ITEM NO.	DESCRIPTION	MIN. QTY.	CASE QTY.
TUB DRAIN KIT			
819-2A	ABS Freestanding Tub Drain Kit - includes drain body, test plug, brass/poly tailpiece, and tailpiece gasket	6	6
819-2P	PVC Freestanding Tub Drain Kit - includes drain body, test plug, brass/poly tailpiece, and tailpiece gasket	6	6

OmniPanel™

Dual-Valve Access Panel

Patent # 9,057,460 B2



Fewer Touches

Valves are installed at rough, keeping them on test throughout the job, no drain down.

Savings

Saves time with every installation.

No more separate parts and pieces – Multiple components are replaced by one easy-to-install product.

Reduced Liability

Fewer potential leaks from faulty installation.

No wobbly stub outs, exposed tube/joints or inferior valves.

Standardized

Installations are consistent – Clean, solid and professional.

Valves are replaceable with standard 5/8" OD supply stops.



Supply

Drainage

Support

Specialties

www.siouxchief.com

TAKE THE FIELD.





698-A11-WR



688-G1CE



698-F



698-EX

» Buying Information

ITEM NO.	DESCRIPTION	MIN. QTY.	CASE QTY.
OMNIPANEL™ WITH 3/8" OD COMP. OUTLET VALVE			
698-A11-CR	1/2" CPVC socket connection	10	10
698-A11-MR	1/2" MIP/F.Swt connection	10	10
698-A11-PR	1/2" M.Swt connection - Press/Push compatible	10	10
698-A11-WR	1/2" F1960 PEX connection	10	10
698-A11-XR	1/2" F1807 PEX connection	10	10
698-A11ACR	1/2" CPVC socket connection with arresters	10	10
698-A11AMR	1/2" MIP/F.Swt connection with arresters	10	10
698-A11APR	1/2" M.Swt connection - Press/Push compatible with arresters	10	10
698-A11AWR	1/2" F1960 PEX connection with arresters	10	10
698-A11AXR	1/2" F1807 PEX connection with arresters	10	10
OMNIPANEL™ WITH 3/4" MALE HOSE THREAD OUTLET VALVE			
698-A33-CR	1/2" CPVC socket connection	10	10
698-A33-MR	1/2" MIP/F.Swt connection	10	10
698-A33-PR	1/2" M.Swt connection - Press/Push compatible	10	10
698-A33-WR	1/2" F1960 PEX connection	10	10
698-A33-XR	1/2" F1807 PEX connection	10	10
698-A33ACR	1/2" CPVC socket connection with arresters	10	10
698-A33AMR	1/2" MIP/F.Swt connection with arresters	10	10
698-A33APR	1/2" M.Swt connection - Press/Push compatible with arresters	10	10
698-A33AWR	1/2" F1960 PEX connection with arresters	10	10
698-A33AXR	1/2" F1807 PEX connection with arresters	10	10
ACCESSORIES			
698-DC	Debris cover for OmniPanel	24	24
698-EX	Frame extension for OmniPanel	10	10
698-F	Frame only for OmniPanel	10	10
698-VC	Color clips for valve - red/blue	50	50
688-G1CE	Extended replacement valve - 5/8" OD comp. thread x 3/8" OD comp. outlet	1	10
305-RT	Grommet removal tool - use to remove valve from base plate	1	10



ProPlate™

Single-Valve Outlet Plate



Savings

Fewer touches – Installs at rough, and incorporates valve, escutcheon, stub out, and bracket in one easy-to-install product.

No more managing/buying/storing/organizing/carrying/handling separate parts and pieces – Saves time with every installation.

Quality

No wobbly stub outs, exposed tube/joints or inferior valves. Installations are consistent – solid, clean, and professional-looking.

Attractive, plated valves are certified and compliant.

Convenient

Valves are replaceable with standard 5/8" OD compression stops.

Debris cover (included) protects valve during rough-in.



Supply

Drainage

Support

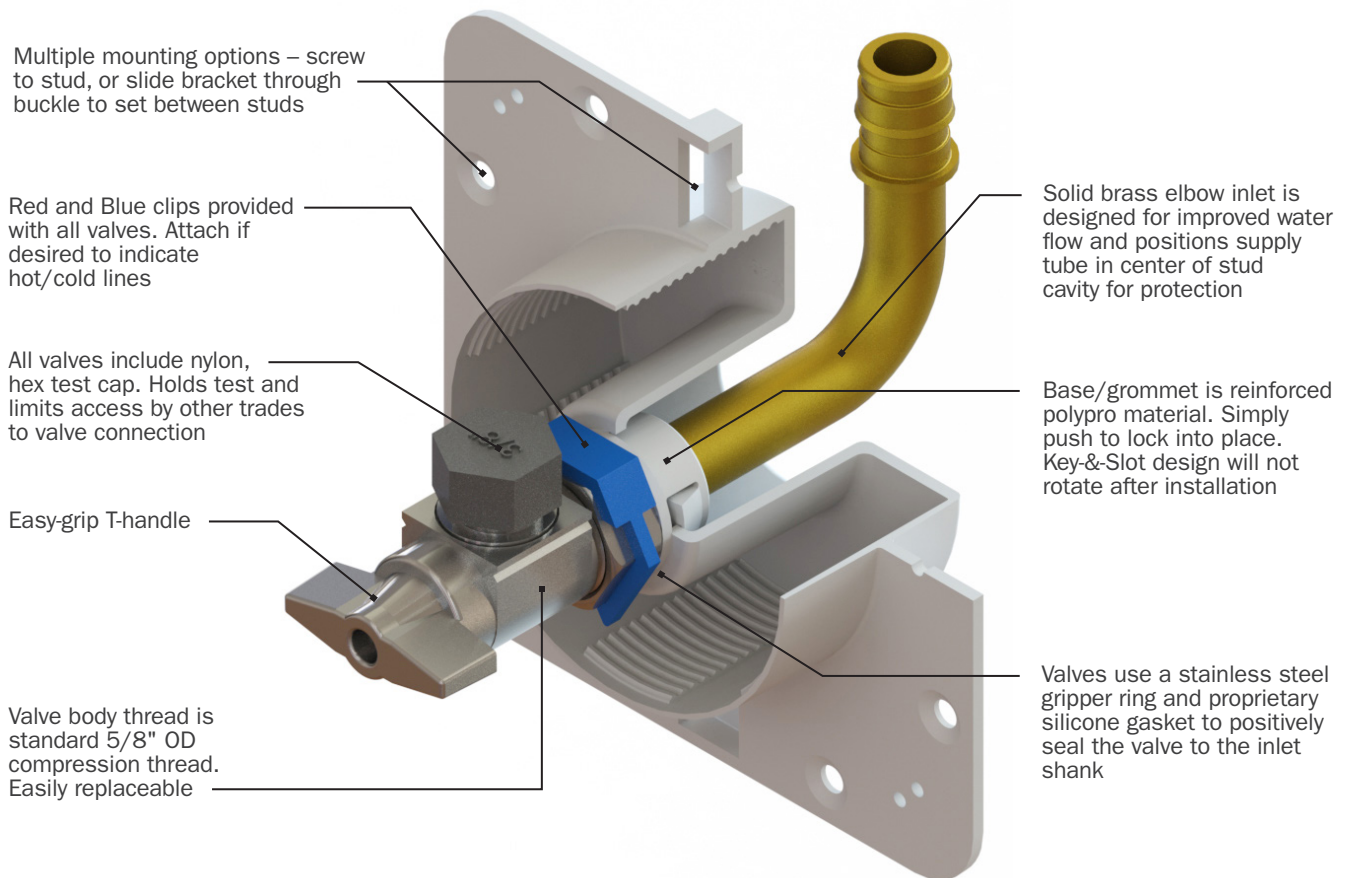
Specialties

www.siouxchief.com

TAKE THE FIELD.



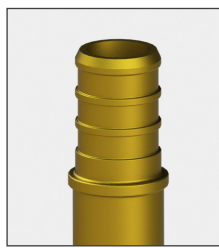
Patented Valve Design Exclusive to Sioux Chief Access products.



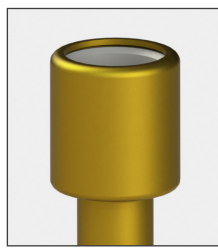
Connection Types:



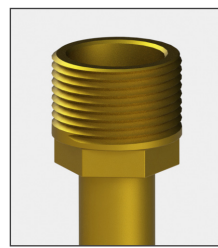
ASTM F1960 Grip™



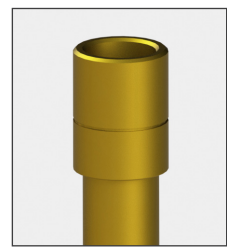
ASTM F1807 Crimp™



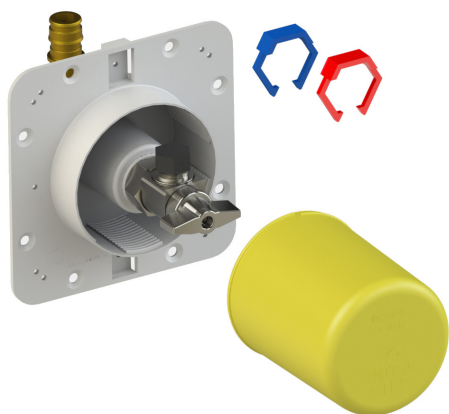
CPVC Socket



MIP/F.SWT



M.SWT/Push/Press with push-fitting lock groove



Complete Rough-In Package

The ProPlate™ includes everything you need, when you need it: a versatile mounting/access plate, high-quality valve with brass elbow connection, protective debris cover, and color clips for hot/cold lines.

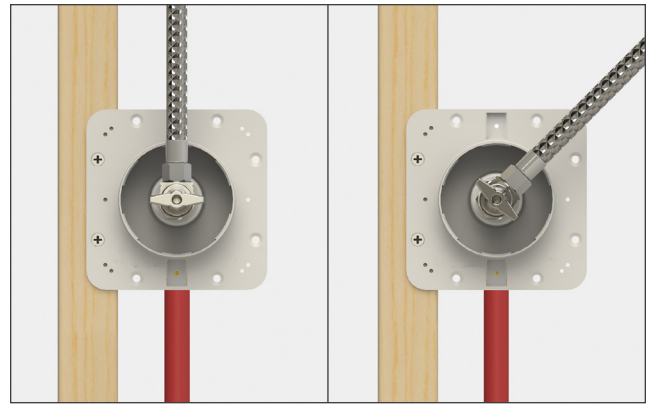
Finish escutcheons are available separately





Fast, Consistent Rough-ins

Quickly and easily rough in for lavatories, toilets, dishwashers, ice makers, or other appliances. Supply lines can be run from above or below.



Swivel Valve Outlet

Valve outlet can be oriented in any direction, independent of the inlet elbow and incoming supply tube.



Works Inside Cabinets

Escutcheons are designed to thread onto the plate and hold securely – Perfect for interior walls or inside of cabinet-style lavatory fixtures.



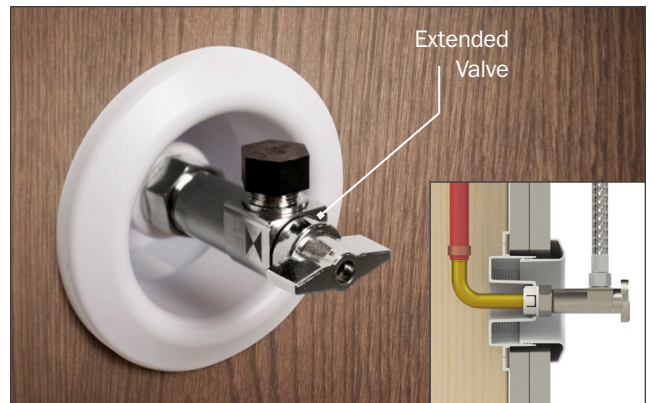
Professional-Looking Finish

Pre-colored, white ABS escutcheons can be painted to match any wall color. Install the TrimTite™ for a more flush appearance



Mounts On or Between Studs

Fasten the ProPlate™ directly to studs, or use a bracket to mount between studs. Chrome-plated escutcheons compliment the look of the plated valve.



Optional Extended Valve

The extended 3/8" outlet valve option is great for applications where multiple layers of drywall are used, or when cabinets are furred out from the wall.



MiniRester™ Option

For applications that require a water hammer arrester, the compression thread MiniRester™ can be connected directly to the outlet of the ProPlate™ valve when installing supply tubes.

Item #
660-GTR0B
or 660-GTR1B



Replaceable Valve Design

All ProPlate™ valves can be replaced with any standard 5/8" OD compression-thread valve.
(see website for valve replacement instructions)



699-A1-XR



699RA1-XR

Fire-Rated



699RF



699FC

Buying Information

1/4" COMP. OUTLET ITEM NO.	3/8" COMP. OUTLET ITEM NO.	3/8" EXTENDED COMP. OUTLET ITEM NO.	3/4" M.HOSE OUTLET ITEM NO.	INLET CONNECTION	MIN. QTY.	CASE QTY.
PROPLATE™						
699-A0-CR	699-A1-CR	699-A1ECP	699-A3-CR	1/2" CPVC socket connection	10	10
699-A0-MR	699-A1-MR	699-A1EMR	699-A3-MR	1/2" MIP/F.Swt connection	10	10
699-A0-PR	699-A1-PR	699-A1EPR	699-A3-PR	1/2" M.Swt/Press/Push connection	10	10
699-A0-WR	699-A1-WR	699-A1EWR	699-A3-WR	1/2" F1960 PEX connection	10	10
699-A0-XR	699-A1-XR	699-A1EXR	699-A3-XR	1/2" F1807 PEX connection	10	10
FIRE-RATED PROPLATE™						
699RA0-CR	699RA1-CR	699RA1ECP	699RA3-CR	1/2" CPVC socket connection	30	30
699RA0-MR	699RA1-MR	699RA1EMR	699RA3-MR	1/2" MIP/F.Swt connection	30	30
699RA0-PR	699RA1-PR	699RA1EPR	699RA3-PR	1/2" M.Swt/Press/Push connection	30	30
699RA0-WR	699RA1-WR	699RA1EWR	699RA3-WR	1/2" F1960 PEX connection	30	30
699RA0-XR	699RA1-XR	699RA1EXR	699RA3-XR	1/2" F1807 PEX connection	30	30
ACCESSORIES						
699RF	White escutcheon for ProPlate™ - paintable, fire-rated ABS				10	10
699FC	Chrome-plated escutcheon for ProPlate™ - fire-rated ABS				10	10
699-DC	Debris cover for ProPlate™				10	10
698-VC	Color clips for valve - red/blue				50	50
688-G1CE	Extended replacement valve - 5/8" OD comp. thread x 3/8" OD comp. outlet				1	10
525-20	Galvanized support bracket with holes- 5/8" x 20" long				100	100
305-RT	Grommet removal tool - use to remove valve from base plate				1	10



www.siouxchief.com

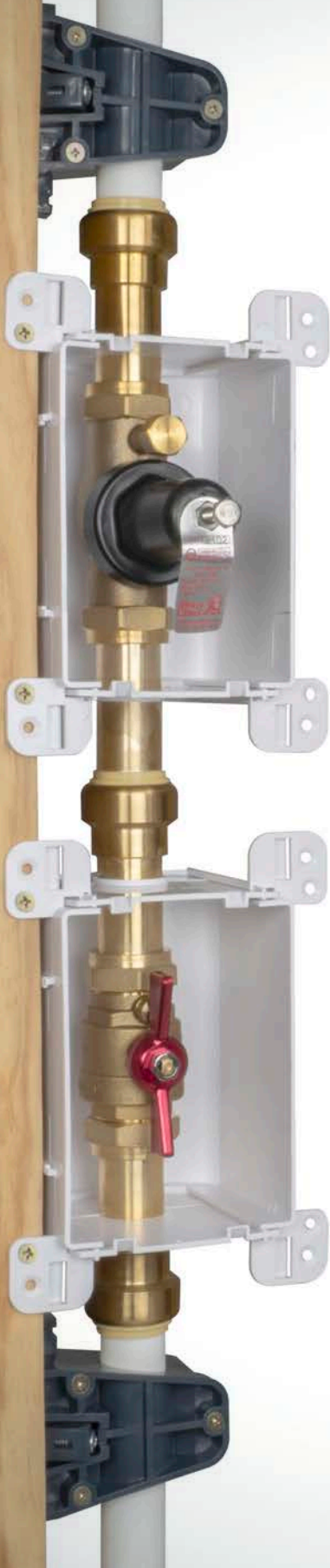
14940 Thunderbird Road
Kansas City, MO 64147
P 1.800.821.3944
F 1.800.758.5950



ServiceBox™

Accessible Water Service System

Patent #11,473,276



Labor-Saving

Installs quickly and mounts securely.

Reduces time spent on the job at rough-in and finish.

Reduce leaks, call-backs and liability.



Simple

ONE product replaces multiple items – Less mess, less waste.

Simple packaging – everything you need is included.

Reduces buying, stocking, handling, etc.



Serviceable

Union connections with EPDM seals.

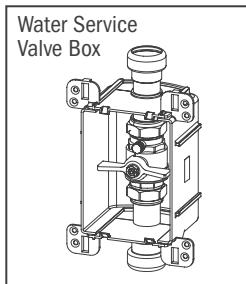
All valves are easily repairable and replaceable.



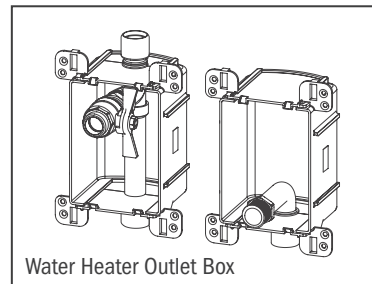
Certified

Full Flow - 600WOG valves.

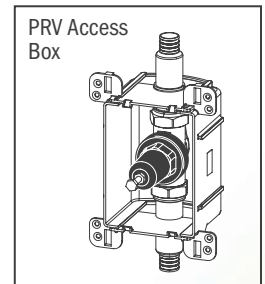
Listed. Certified. Compliant.



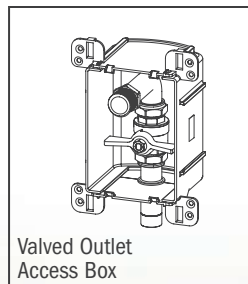
Water Service Valve Box



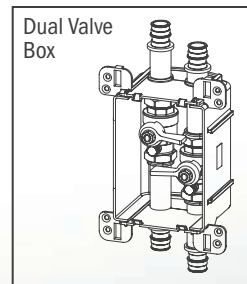
Water Heater Outlet Box



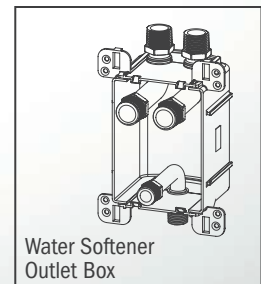
PRV Access Box



Valved Outlet Access Box



Dual Valve Box



Water Softener Outlet Box

Supply

Drainage

Support

Specialties

www.siouxchief.com


TAKE THE FIELD.

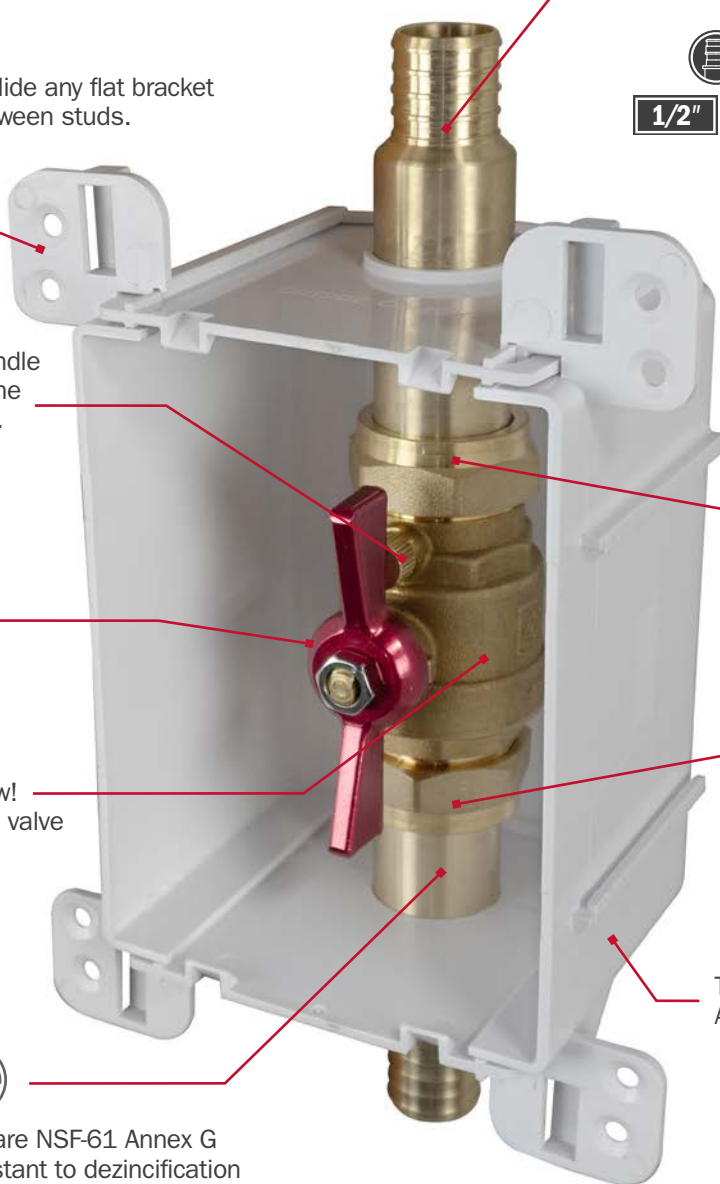


Water Service Valve Box

Applications







The water service valve box is perfect for use as a main shut-off for the dwelling, or install it anywhere a single, accessible valve is needed in the system.

 Approved for fire-rated applications, it can be installed in shared or rated walls with no need to fire-caulk or box around with drywall



Box fastens securely to stud, or slide any flat bracket through the tracks to position between studs.

Multiple connection types and sizes available:

-    
-  

1/2" 3/4" 1" 1-1/4"




Capped outlet port behind handle makes it easy to drain-down the system when valve is shut off.
(Push 3/8" ID vinyl tube over threads to control/direct the drain-down)

Anodized aluminum T-handle is easy to operate and corrosion-resistant

Union connections with EPDM seals make valves easily repairable and replaceable

Full Flow! 600wog valve

Tough, durable, ABS box material

All brass materials are NSF-61 Annex G compliant, and resistant to dezincification and stress-corrosion cracking

Labor Savings


Use the online cost analysis form to find out how much \$\$\$ you can save, using the ServiceBox.



Pressure-Reducing Valve Box

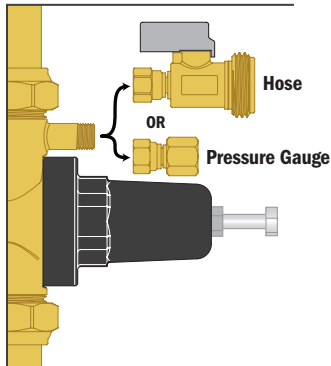
Applications

The pressure-reducing valve box is typically installed downstream of the main shut-off and helps protect fixtures from excessive pressures coming in from the water service.

 Approved for fire-rated applications, it can be installed in shared or rated walls with no need to fire-caulk or box around with drywall

Box fastens securely to stud, or slide any flat bracket through the tracks to position between studs.

Optional capped outlet port is perfect for installing the 131-G0Y3HR101 ball valve for hose connection, or the 930-46101001 adapter for hooking up a pressure gauge.




Multiple connection types and sizes available:



3/4" 1"

Union connections with EPDM seals make valves easily repairable and replaceable

Tough, durable, ABS box material

 Fully adjustable pressure-reducing valve complies with ASSE 1003 and is factory set to 60psi



Labor Savings

Use the online cost analysis form to find out how much \$\$\$ you can save, using the ServiceBox.


All boxes ship with a PVC 'jumper' installed, and the PRV boxed separately, for later installation

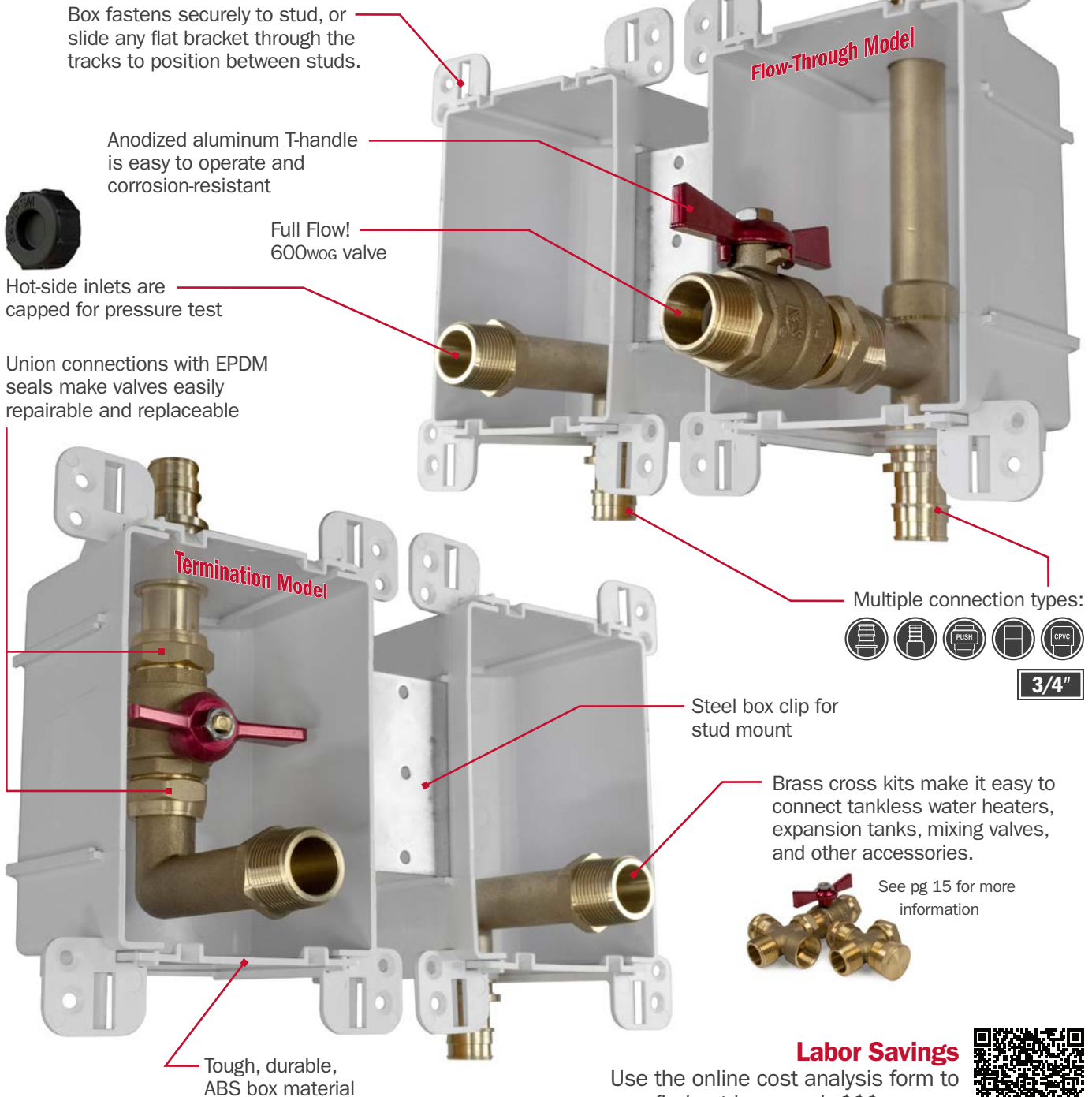


Water Heater Access Box

Applications

Two types of water heater access boxes are available, depending on the application, and preferred installation method. The 'Flow-Through' model includes a bypass on the cold outlet (behind the valve), and the 'Termination' model includes a single, valved, cold-side elbow outlet, and a single hot-side elbow inlet.

 Approved for fire-rated applications, it can be installed in shared or rated walls with no need to fire-caulk or box around with drywall



Box fastens securely to stud, or slide any flat bracket through the tracks to position between studs.






Anodized aluminum T-handle is easy to operate and corrosion-resistant

Full Flow! 600wog valve

Hot-side inlets are capped for pressure test

Union connections with EPDM seals make valves easily repairable and replaceable

Multiple connection types:

- 
- 
- 
- 
- 

3/4"

Steel box clip for stud mount

Brass cross kits make it easy to connect tankless water heaters, expansion tanks, mixing valves, and other accessories.

See pg 15 for more information

Tough, durable, ABS box material

Labor Savings


Use the online cost analysis form to find out how much \$\$\$ you can save, using the ServiceBox.



Dual-Valve Access Box

Applications

Works well as a secondary shut-off for hot/cold mains, remote bathrooms or for separating lines using a wye splitter.

 Approved for fire-rated applications, it can be installed in shared or rated walls with no need to fire-caulk or box around with drywall

Box fastens securely to stud, or slide any flat bracket through the tracks to position between studs.

Capped outlet port behind handle makes it easy to drain-down the system when valve is shut off.
(Push 3/8" ID vinyl tube over threads to control/direct the drain-down)

Full Flow!
600wog valve

Anodized aluminum
T-handle

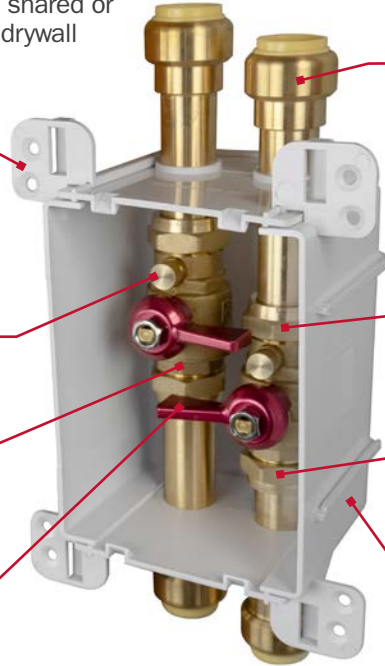
Multiple connection types and sizes available:



1/2" 3/4"

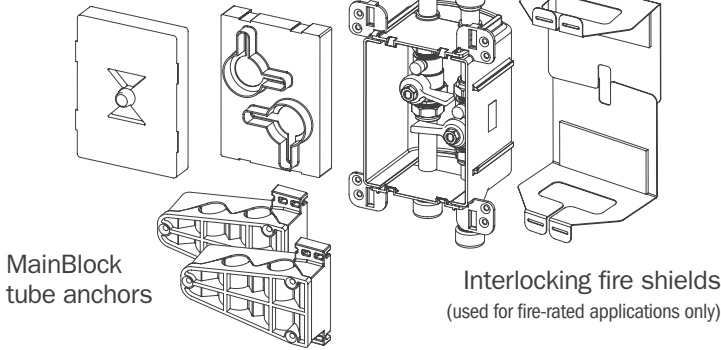
Union connections with EPDM seals make valves easily repairable and replaceable

Tough, durable,
ABS box material



What's Included:

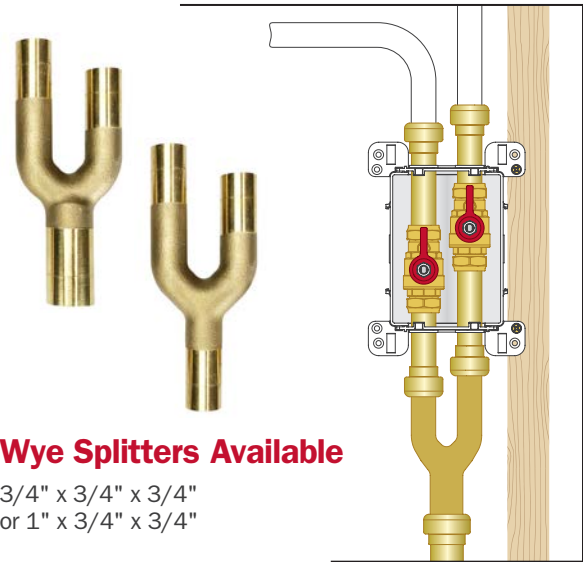
Valve box with positioning plate and re-usable cover plate



MainBlock
tube anchors

Interlocking fire shields
(used for fire-rated applications only)

Finish frame sold separately.
(Item no. 687-1F)



Wye Splitters Available

3/4" x 3/4" x 3/4"
or 1" x 3/4" x 3/4"



Labor Savings

Use the online cost analysis form to find out how much \$\$\$ you can save, using the ServiceBox.




The GREEN Box

Color-coded boxes with wrap-around labels. Easy to stock, easy to identify. Provides a complete, 'Grab & Go' package.

Water Softener Access Box

Applications

Replace costly, site-fabricated assemblies and loops with a single, easy-to-install product. Provides Hard-Water-In, Soft-Water-Out, and brine discharge connections for water softener hookup in a clean, compact access box.

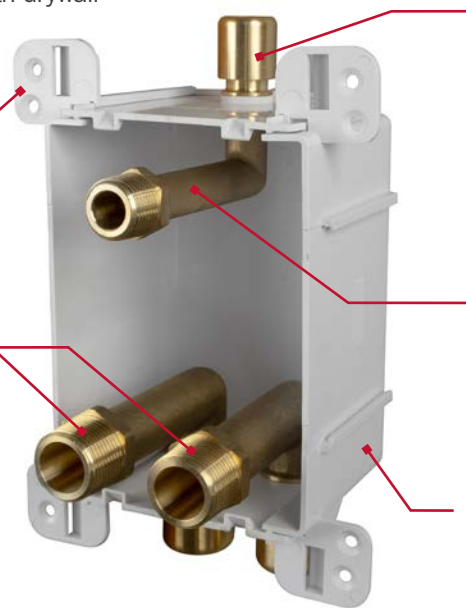
 Approved for fire-rated applications, it can be installed in shared or rated walls with no need to fire-caulk or box around with drywall

Box fastens securely to stud, or slide any flat bracket through the tracks to position between studs.

Optional 3/4" or 1" MIP thread outlets provide ample flow to and from the unit



Outlets are capped and ready for pressure test



Multiple connection types and sizes available:



3/4" **1"**

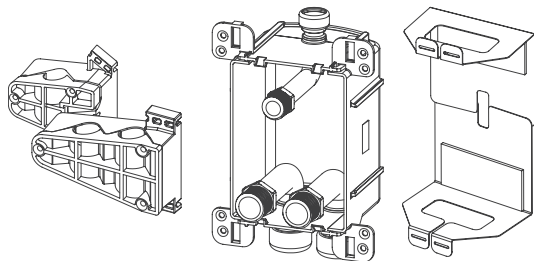
1/2" discharge line runs to convenient disposal location

Tough, durable, ABS box material

What's Included:

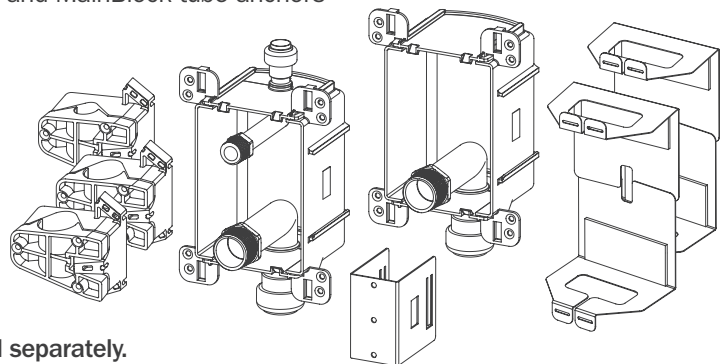
3/4" Model - One Box

Access box with brass elbows, interlocking fire shields, and MainBlock tube anchors



1" Model - Two Boxes

One access box with two brass elbows, one access box with one brass elbow, interlocking fire shields, stud-mounting box clip, and MainBlock tube anchors



Finish frame sold separately.
(Item no. 687-1F)



Labor Savings

Use the online cost analysis form to find out how much \$\$\$ you can save, using the ServiceBox.




The GRAY Box

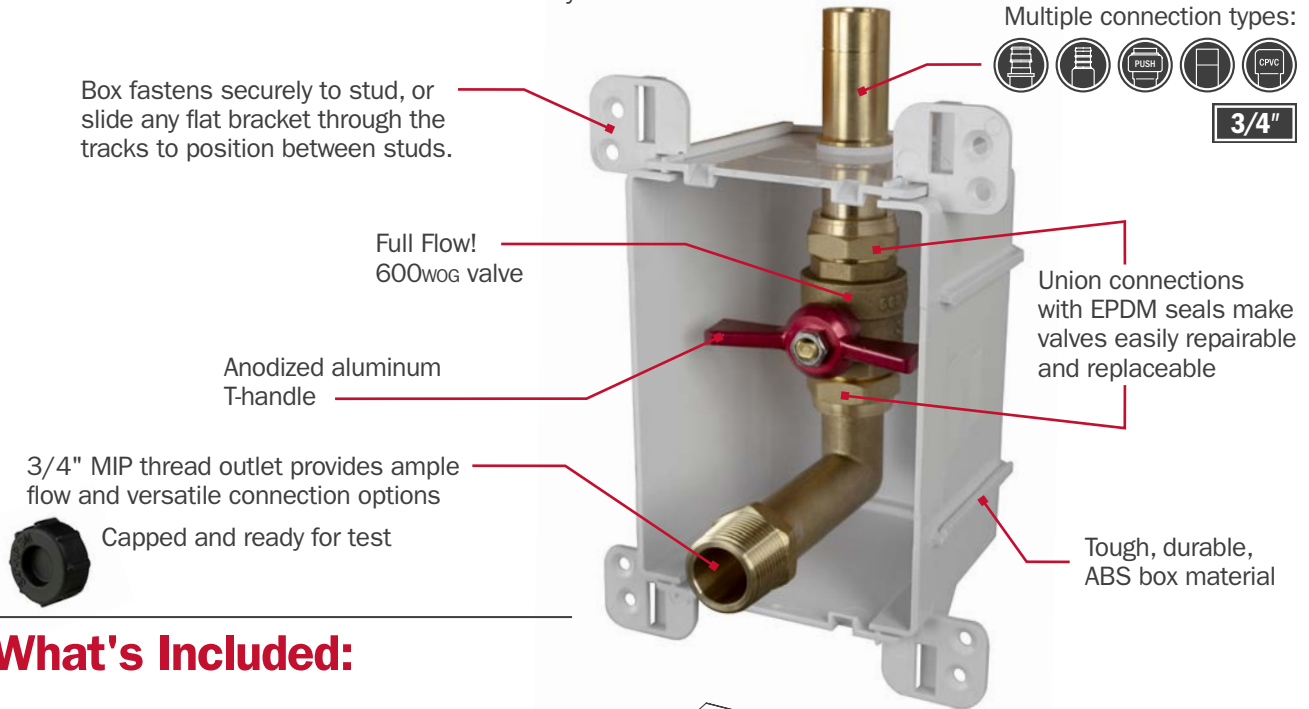
Color-coded boxes with wrap-around labels. Easy to stock, easy to identify. Provides a complete, 'Grab & Go' package.

Valve Termination Box

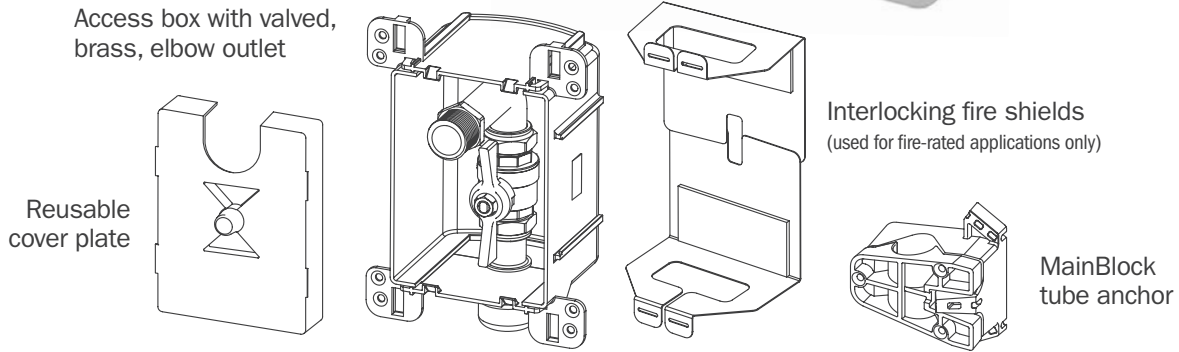
Applications

Perfect for any application where you need valved water service – in the garage/barn/shed, or for appliance connection.

 Approved for fire-rated applications, it can be installed in shared or rated walls with no need to fire-caulk or box around with drywall



What's Included:



Finish frame (item no. 687-1F) sold separately.

Buy frames separately. Later, when you need them. Not at rough-in. You don't need them at rough-in. They'll just get lost.



Labor Savings

Use the online cost analysis form to find out how much \$\$\$ you can save, using the ServiceBox.



The ORANGE Box

Color-coded boxes with wrap-around labels. Easy to stock, easy to identify. Provides a complete, 'Grab & Go' package.

CPVC Adapters

▶▶ ASTM F438 Sch. 40 Connection



Superior Design

Brass/copper fitting body shields CPVC socket for more durable connections

Unique design provides Full-Flow, with no restriction through the fitting

CPVC sockets comply with ASTM F438, and are designed for use with Sch. 40 and Sch. 80 pipe

Better Performance

Transition from CPVC trunk lines to branch lines for individual units in multi-family projects

Engineered EPDM o-rings maintain a leak-proof seal between the CPVC socket and metal housing



Supply

Drainage

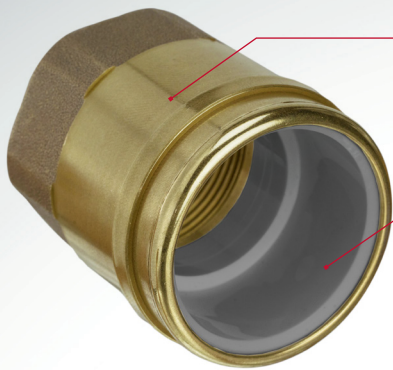
Support

Specialties

www.siouxchief.com

TAKE THE FIELD.





Brass is dezincification and SCC resistant.
Compliant with NSF-61 and California
No Lead Plumbing Law

CPVC F438 Sch. 40 socket is
surrounded by brass or copper
sleeve for protection

Technical Specifications

Certifications:
FGG/BM/CZ
System Compatible
cUPC Listed

Max Temp:
180° F

Max Pressure:
250 PSIG



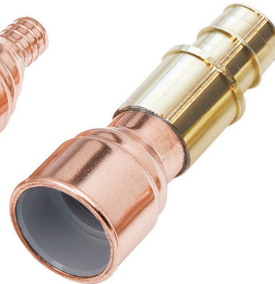
646-CG95



647-CG96



645XC93



645WGC95



643-C9311

Buying Information

ITEM NO.	DESCRIPTION	LENGTH	MIN. QTY.	CASE QTY.
MIP THREAD X CPVC SOCKET ADAPTERS				
646-CG95	1-1/4" CPVC Sch. 40 socket x 1-1/4" MIP thread adapter	2-5/8"	10	10
646-CG96	1-1/2" CPVC Sch. 40 socket x 1-1/2" MIP thread adapter	2-7/8"	10	10
646-CG97	2" CPVC Sch. 40 socket x 2" MIP thread adapter	3-3/8"	10	10
FIP THREAD X CPVC SOCKET ADAPTERS				
647-CG95	1-1/4" CPVC Sch. 40 socket x 1-1/4" FIP thread adapter	2-1/2"	10	10
647-CG96	1-1/2" CPVC Sch. 40 socket x 1-1/2" FIP thread adapter	2-15/16"	10	10
647-CG97	2" CPVC Sch. 40 socket x 2" FIP thread adapter	3-5/16"	10	10
F1807 PEX X CPVC SOCKET ADAPTERS				
645XC923	3/4" CPVC Sch. 40 socket x 1/2" F1807 PEX adapter - copper	4-1/4"	25	25
645XC93	3/4" CPVC Sch. 40 socket x 3/4" F1807 PEX adapter - copper	2-5/8"	50	50
645XC94	1" CPVC Sch. 40 socket x 1" F1807 PEX adapter - copper	2-1/2"	20	20
F1960 PEX X CPVC SOCKET ADAPTERS				
645WGC93	3/4" CPVC Sch. 40 socket x 3/4" F1960 PEX adapter - copper/brass	4-1/8"	50	50
645WGC94	1" CPVC Sch. 40 socket x 1" F1960 PEX adapter - copper/brass	4-7/16"	20	20
645WGC95	1-1/4" CPVC Sch. 40 socket x 1-1/4" F1960 PEX adapter - copper/brass	5-11/16"	10	10
STUB-OUT ELBOWS - CPVC SOCKET CONNECTION				
630-C9248	1/2" CPVC Sch. 40 socket x 1/2" stub out elbow - copper	4" trunk x 8" stub-out	50	50
630-C93612	3/4" CPVC Sch. 40 socket x 3/4" stub out elbow - copper	6" trunk x 12" stub-out	20	20
630-C941012	1" CPVC Sch. 40 socket x 1" stub out elbow - copper	10" trunk x 12" stub-out	25	25
MALE SWEAT X CPVC SOCKET ADAPTERS				
643-C9211	1/2" CPVC Sch. 40 socket x 1/2" copper M.SWT adapter	11"	25	25
643-C9311	3/4" CPVC Sch. 40 socket x 3/4" copper M.SWT adapter	11"	25	25
643-C9418	1" CPVC Sch. 40 socket x 1" copper M.SWT adapter	18"	25	25



Sioux Chief



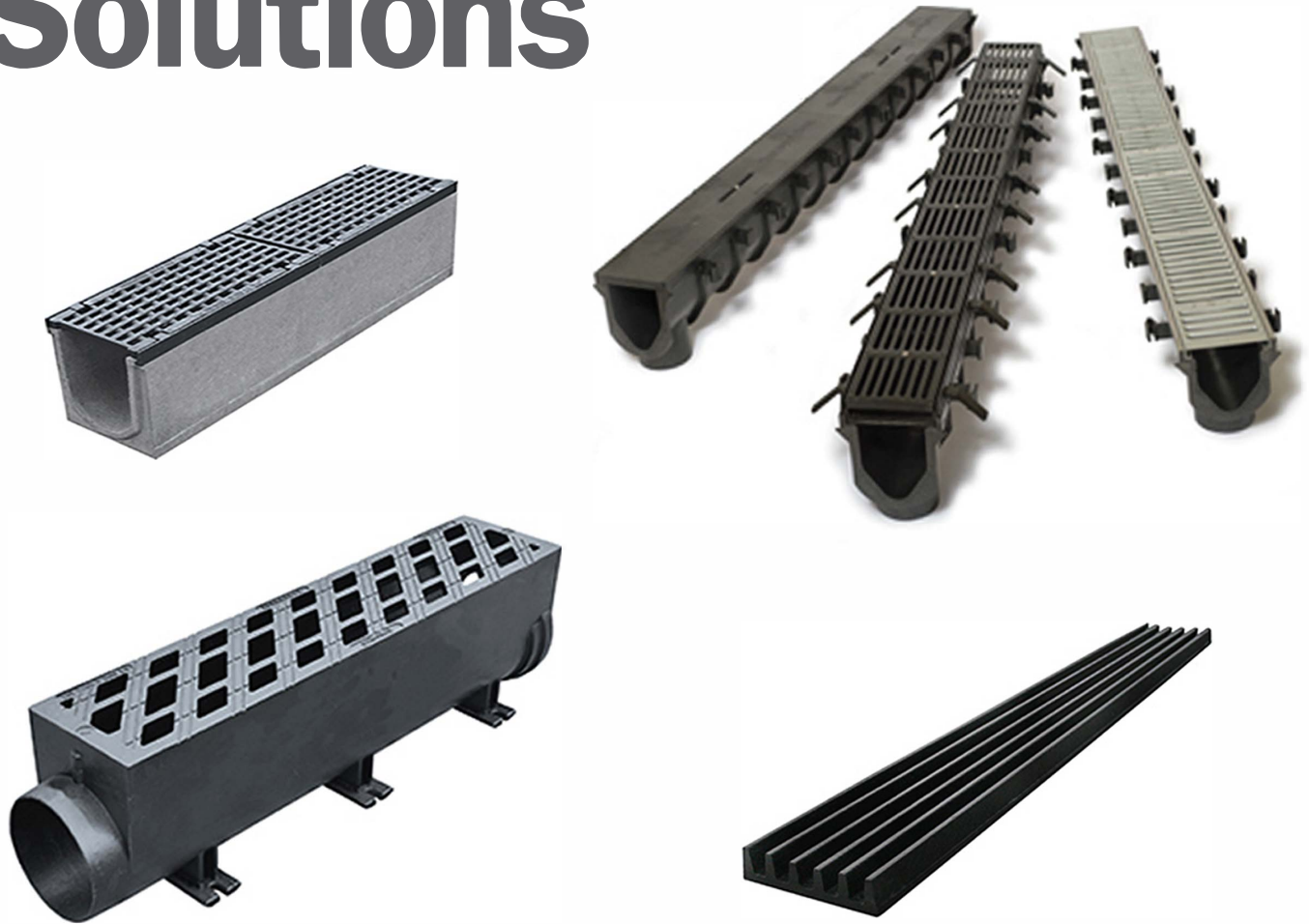
WE ARE COMMERCIAL DRAINAGE!

Trench Drains - Floor Drains - Roof Drains - Fixture Carriers - Cleanouts





Trench Drain Solutions



Expanded Trench Drain Offering

- HDPE, Stainless Steel, Ductile Iron, and fiber reinforced concrete
- 4" thru 12" Widths
- Load Rating Capacities up to load class F

- CLICK IMAGE FOR SPECIFICATIONS ON EACH SYSTEM -

HydroTec™ Maxi System

Materials: Fiber-reinforced concrete channels with ductile iron edge protection

Load Class: C, D, E, F - depending on encasement

Nominal Width: 4", 6" (sloped), 8", 12", 16" (neutral)

Grate Options: Ductile iron grates, various patterns

Application Areas: Industrial areas, airports, heavy-traffic loading areas

Features: Patented grate-locking system - No Fasteners!
Heavy-duty ductile iron edge rails are cast into the channel body.
Integrated lugs prevent longitudinal shifting of the grate.



HydroTec™ Top System

Materials: Fiber-reinforced concrete channels with galvanized steel edge protection

Load Class: A, B, C

Nominal Width: 4", 6" (sloped), 8" (neutral)

Grate Options: Galvanized steel slotted/mesh perforated heel-proof, ductile iron

Application Areas: Commercial driveways, parking lots, pedestrian/cycle areas

Features: Patented grate-locking system - No Fasteners!
Galvanized steel edge rails are cast into the channel body.



HydroBlock™ System

Materials: Ductile iron

Load Class: Up to Class F - depending on encasement

Nominal Width: 4", 6", 8", 12" (neutral)

Grate Options: Ductile iron (one-piece)
Slotted and ADA patterns

Application Areas: Industrial areas, airports,
heavy-traffic loading areas

Features: Durable, one-piece design is easy to install,
low-maintenance, and rattle-free. Can be re-used / re-installed.
Water-tight, anti-torque joints. Small job site footprint.



HydroLine™ System

Materials: Ductile iron, powder-coated aluminum

Load Class: Up to Class F - depending on encasement

Nominal Width: 4.5" (ductile iron), 5" (aluminum)

Grate Options: One-piece, longitudinal slot design

Application Areas: Indoor/covered parking areas,
pedestrian walkways/terraces

Features: Low-profile, one-piece design is easy to install,
easy to clean, low-maintenance, and rattle-free



FastTrack™ System

Materials: HDPE channels with optional stainless steel
edge guards or ductile iron frames

Load Class: A, B, C, D

Nominal Width: 6" (sloped)

Grate Options: HDPE, Polypro, Stainless steel,
Galvanized steel, ductile iron - various patterns

Application Areas: Commercial driveways/parking,
hospitality, retail/mixed-use, pedestrian/cycle areas

Features: Lightweight channels, solid joint connections,
integral bottom outlet, chemical-resistant



DeckAnchor™

Fixture Mounting & Connection Fitting



Solid

Anchors drainage fixtures in place on slab forms during rough-in

Mount the DeckAnchor™ to the form with nails and attach drainage fixture with No-Hub coupling

Rugged, one-piece ductile iron construction

Convenient

Provides easy access to integral connection when wood deck forms are removed

Cut riser to length, or extend with pipe for thicker slabs



Supply

Drainage

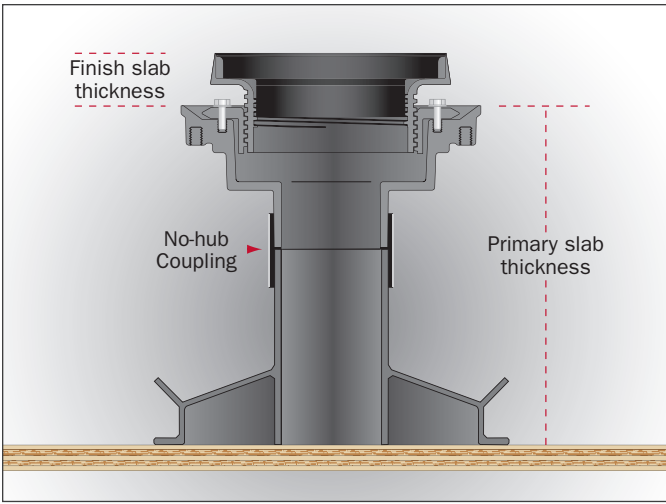
Support

Specialties

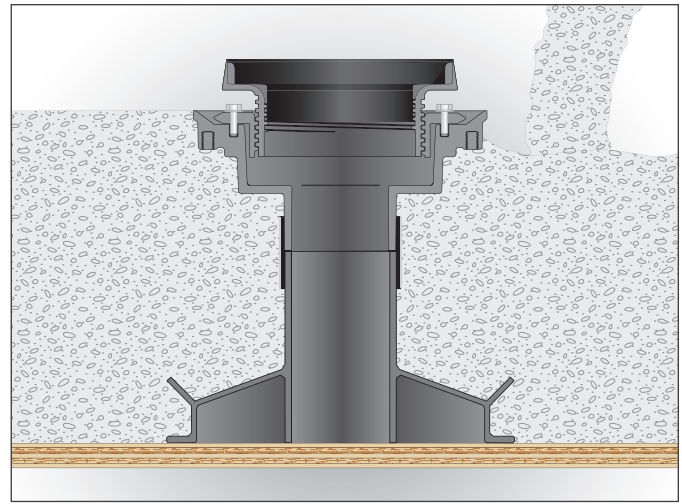
www.siouxchief.com

TAKE THE FIELD.

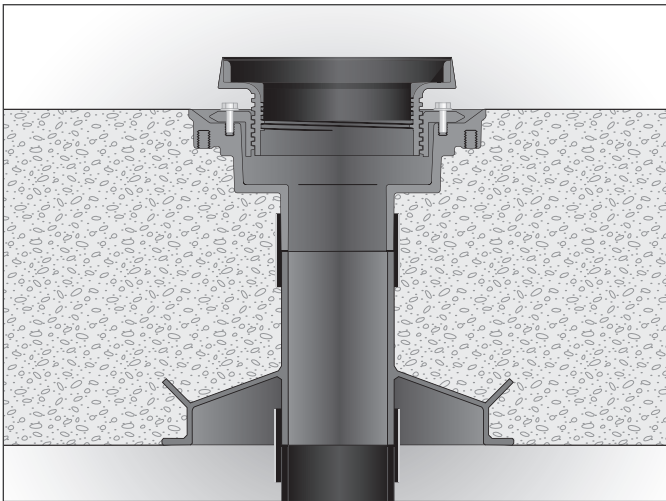




Consider the thickness of the slab pour and cut the extension portion to length. Attach drainage fixture to upper connection with no-hub coupling.

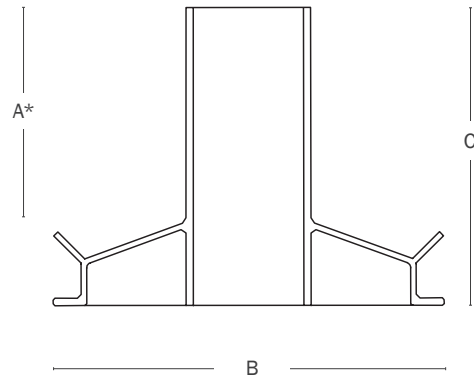


Mount the DeckAnchor™ to the form with nails or screws. Pour and finish slab to desired level.



After slab has cured and the deck form is removed, connect drain pipe to DeckAnchor™ with no-hub coupling.

Dimensions



* Fitting extension can be cut to length per application, or extended using pipe/coupling.



836-2



836-3



836-4

Buying Information

ITEM NO.	DESCRIPTION	A	B	C	MIN. QTY.	CASE QTY.
836-2	DeckAnchor™ - 2" No-Hub connection - ductile iron	5-5/8"	10-1/2"	8"	1	1
836-3	DeckAnchor™ - 3" No-Hub connection - ductile iron	5-5/8"	10-1/2"	8"	1	1
836-4	DeckAnchor™ - 4" No-Hub connection - ductile iron	5-5/8"	10-1/2"	8"	1	1
836-6	DeckAnchor™ - 6" No-Hub connection - ductile iron	5-3/4"	12-1/2"	8"	1	1

FinishLine™

Shower Pan Drain



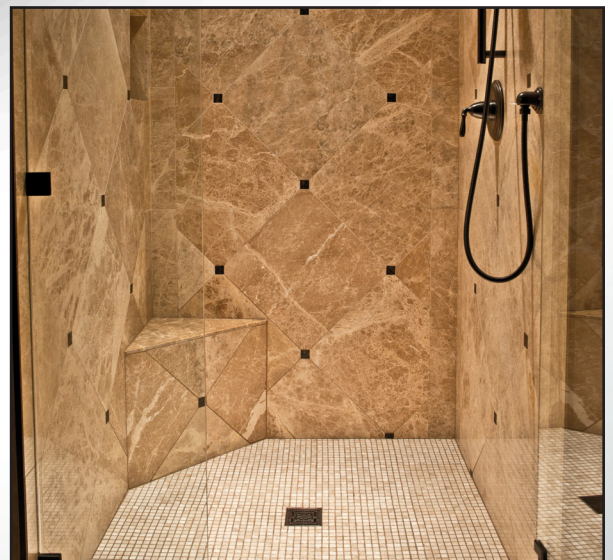
Unique

Allows for adjustment after setting a secondary mortar bed – no more guesswork on tile thickness

Can be used with traditional or fabric-bonded pan liners and liquid membranes – one drain for all tiled shower installations

Practical

Can be installed like a traditional shower pan drain – no special tools or techniques required



Supply

Drainage

Support

Specialties

www.siouxchief.com

TAKE THE FIELD.



Snap-in, stainless steel rough-in cover
Keep the finish strainer clean, protected,
and off the job during rough-in

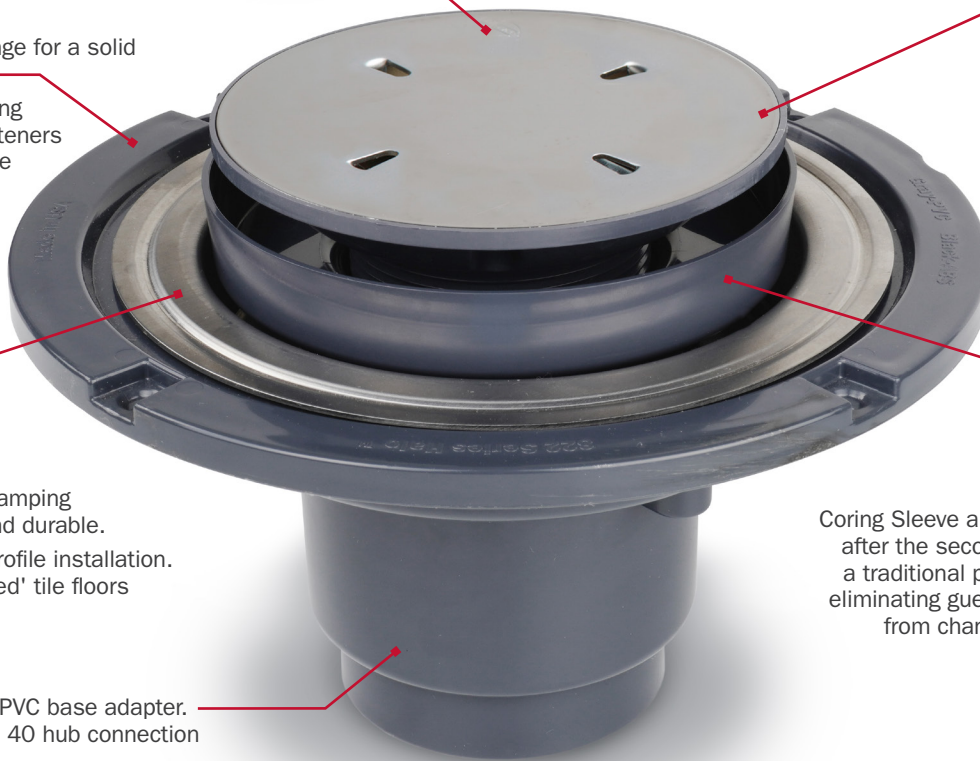
Finish Fixture adjusts separately from the Coring
Sleeve – from flush to 1" above the sleeve rim

Wide, integral flange for a solid
installation.
Recessed mounting
holes prevent fasteners
from damaging the
waterproofing

Stainless steel clamping
collar is strong and durable.
Allows for a low-profile installation.
Perfect for 'thin-bed' tile floors

Coring Sleeve allows for adjustment
after the secondary mortar bed in
a traditional pan liner installation,
eliminating guesswork or problems
from changes in tile selection

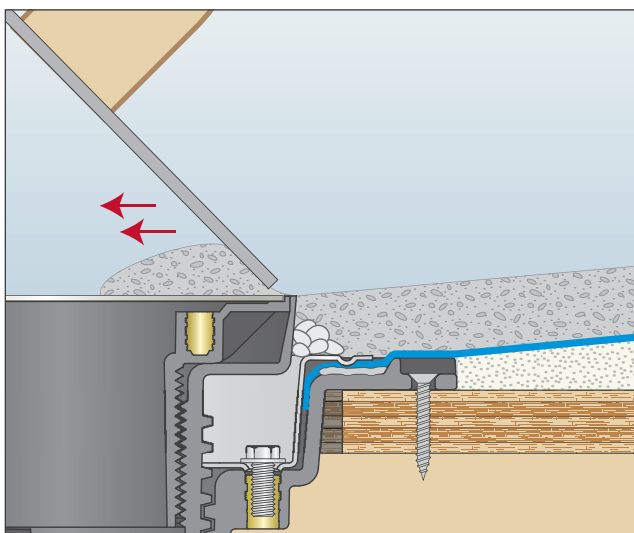
ABS or PVC base adapter.
2" Sch. 40 hub connection



Designed in accordance with
A112.18.2 / CSA B125.2

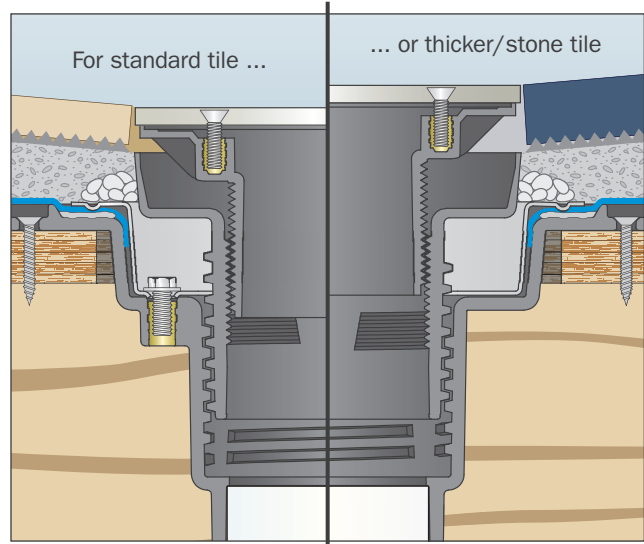


Additional Features for Traditional Applications



Rough-in Sleeve & Cover

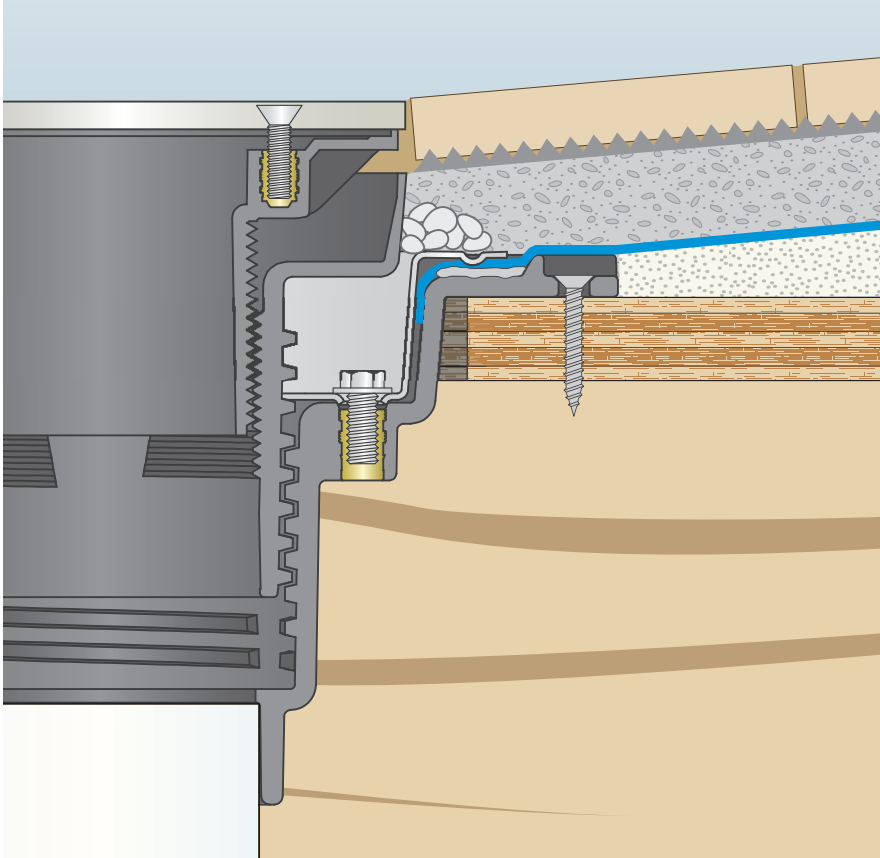
The stainless steel rough-in cover makes it easy to set
the secondary mortar bed – adjust the sleeve/cover to
be flush, and screed right over the top!



Fully Adjustable

The Finish Fixture remains adjustable, even **after**
the mortar bed has set – No worries if the tile spec
changes. Works with tile up to 1" thick.

Typical Installation with Traditional Sheet Pan Liner



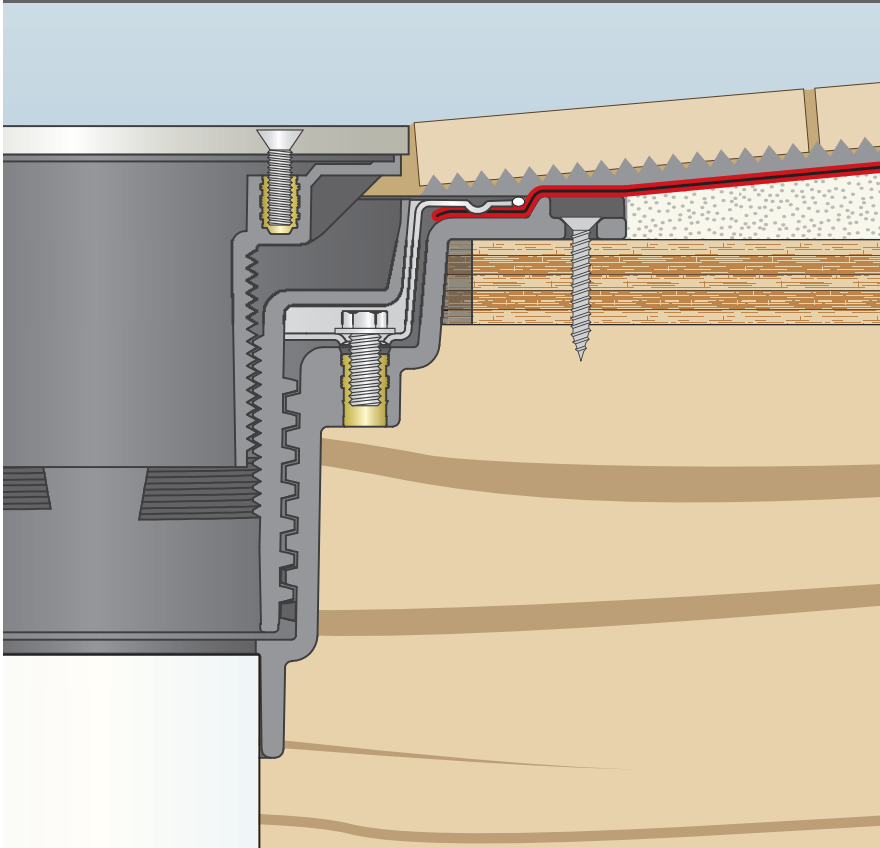
In a traditional shower pan application with sheet pan liner, the Coring Sleeve allows for a faster, easier installation of the secondary mortar bed.

Adjust the Coring Sleeve and cover to the appropriate bed thickness, and float the mortar flush with the sleeve/cover.

During final tile installation, remove the Finish Fixture, attach desired strainer and adjust to the right level and orientation for a perfect finish.

Waterproof pan liner should be certified/approved, and conform to ASTM D4551 for PVC, or ASTM D4068 for CPE

Typical Installation with Liquid Waterproofing or Fabric-Bonded Sheet Liner



For shower floors using liquid waterproofing or a fabric-bonded sheet liner, the stainless steel clamping collar is fastened on the inside recess of the drain body.

This allows the Coring Sleeve and Finish Fixture to adjust completely flush with the drain base – perfect for a low-profile tile set in barrier-free showers or drains in wet rooms.

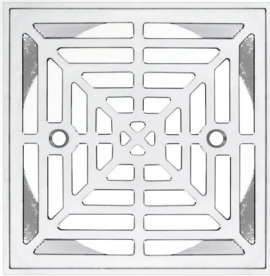
Install tile on the (liquid or sheet) waterproofing layer and adjust the Finish Fixture to the correct height and proper orientation for a perfect finish.

Fabric-bonded waterproof pan liner should be certified/approved, and conform to ANSI A118.10

Liquid-applied waterproof liner/membrane should be certified/approved, and conform to ANSI A118.10

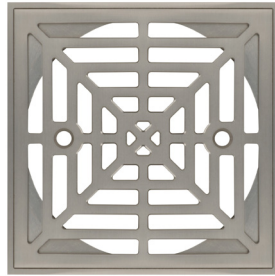
Deluxe Finish Strainers for Use with shower pan drains ...

Chrome



821-2SCQPK2

Satin Nickel



821-2SKQPK2

Matte Black



821-2SMQPK2

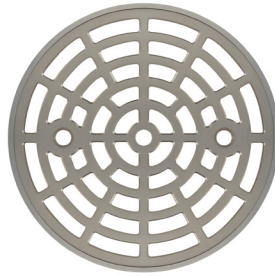
Oil-Rubbed Bronze



821-2SRBQPK2



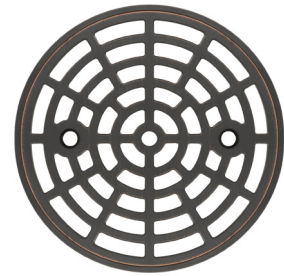
821-2SCRPK2



821-2SKRPK2



821-2SMRPK2



821-2SRBRPK2



822-S2A



822-S2P

» Buying Information

ITEM NO.	DESCRIPTION	MIN. QTY.	CASE QTY.
FINISHLINE™ SHOWER PAN DRAIN			
822-S2A	Shower pan drain with 2" ABS Sch. 40 hub connection - includes rough-in sleeve & cover	6	6
822-S2P	Shower pan drain with 2" PVC Sch. 40 hub connection - includes rough-in sleeve & cover	6	6
STRAINERS			
821-2SCRPK2	Chrome Finish - Round ring/strainer with screws. 1/clamshell	1	50
821-2SCQPK2	Chrome Finish - Square ring/strainer with screws. 1/clamshell	1	50
821-2SKRPK2	Satin Nickel Finish - Round ring/strainer with screws. 1/clamshell	1	50
821-2SKQPK2	Satin Nickel Finish - Square ring/strainer with screws. 1/clamshell	1	50
821-2SMRPK2	Matte Black Finish - Round ring/strainer with screws. 1/clamshell	1	50
821-2SMQPK2	Matte Black Finish - Square ring/strainer with screws. 1/clamshell	1	50
821-2SRBRPK2	Oil-Rubbed Bronze Finish - Round ring/strainer with screws. 1/clamshell	1	50
821-2SRBQPK2	Oil-Rubbed Bronze Finish - Square ring/strainer with screws. 1/clamshell	1	50

'New Product' Highlights

Products Cataloged for the First Time in Edition 32

Freestanding Tub Drain



HardHat™



ABS/PVC Test Caps

Linear Shower Pan Drains



A Wide Variety of Styles

Shower Arm Test Plug



Shower Pan Drains



New DoubleDuty™ Design, New Strainer Finishes, New Tile-Insert Models

Slab Shower Drains



Specification Drainage

A Complete Line of Products



Floor Drains - Floor Sinks - Roof Drains - Cleanouts - Fixture Carriers

Cleanout Plugs

Square Head - Polypro



'New Product' Highlights

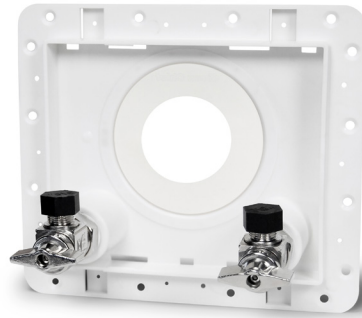
Products Cataloged for the First Time in Edition 32

Multi-Port Tees



Brass & Poly
for F1807 PEX & F1960 PEX

OmniPanel™



Dual-Valve Access Panel

Access Boxes Replaceable Valve Design



OxBox™ Kitchen Access Box



PowerPEX® F2159 Fittings



New & Expanded Offering

PowerPEX® Tube



A Complete Line of PEX Tube
Type-A & Type-B
Coils & Sticks
O₂-Barrier

PDQ™ Push Fittings



A Complete Line of Products

'New Product' Highlights

Products Cataloged for the First Time in Edition 32

ProPlate™



Single-Valve Outlet Plate

PowerPEX® F1960 Poly Fittings



Thermal Expansion Relief Valves



Thermostatic Mixing Valves



Cross Adapters for Water Heaters



Sillcocks



New Design - New Styles

Cleanout Bushing with Nickel-Bronze Cover



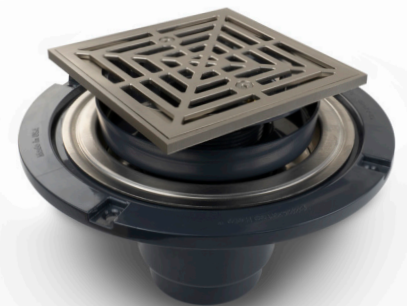
Inside Pipe Fit

DeckAnchor™



Fixture Mounting Fitting

FinishLine™ Shower Pan Drain



'New Product' Highlights

Products Cataloged for the First Time in Edition 32

PowerBar™ Vent Loop Kit



PipeDown™ Acoustical Clamps



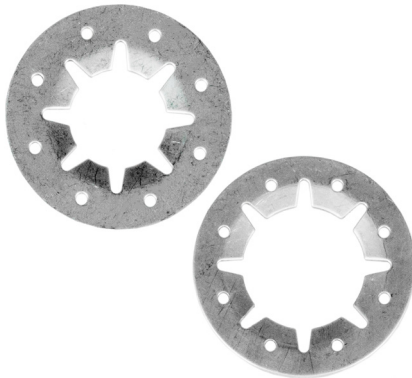
for PowerBar™ Brackets

Simple Bend Support



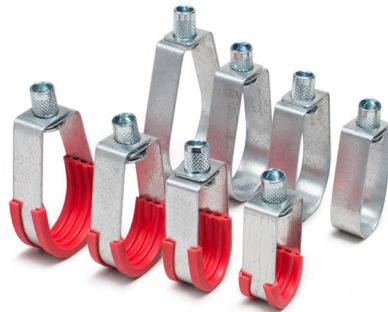
for PEX Tube

StainlessStar™ Tube-Locking Push Nut



for Copper Tube

Loop Hangers

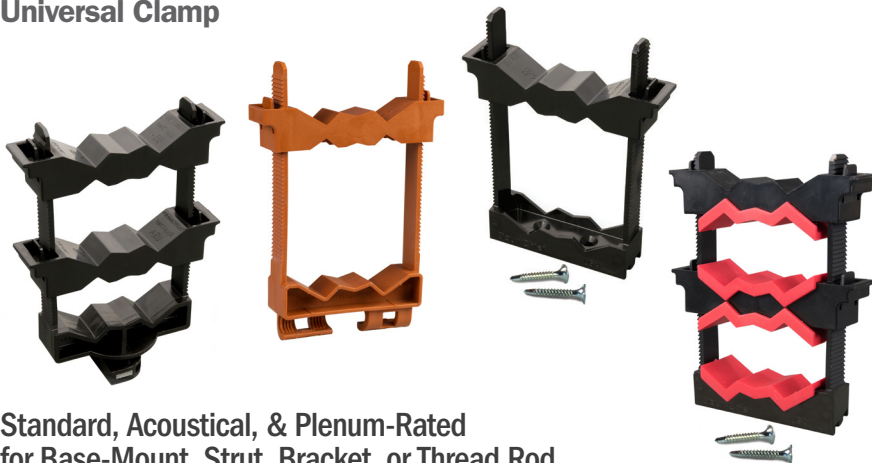


Standard & Acoustical

TakeOff™ Pipe Support Block



TD+™ Universal Clamp



Standard, Acoustical, & Plenum-Rated
for Base-Mount, Strut, Bracket, or Thread Rod

WiderSlider™



Galvanized Adjustable Bracket

'New Product' Highlights

Products Cataloged for the First Time in Edition 32

PushTite™ Cast Iron



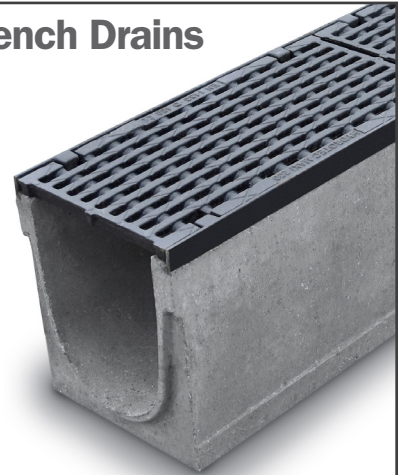
Gasket-Seal Closet Flange

TrapShield™



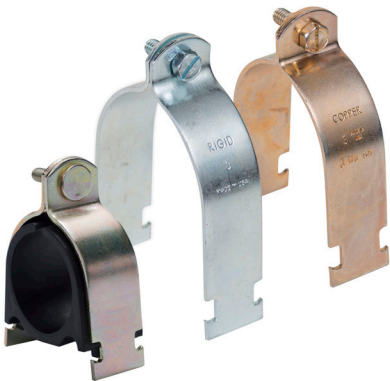
Trap Protection Device

Trench Drains



New & Expanded Offering

Strut Clamps



TankBracket™ Expansion Tank Support



for Water Heater & Wall Mount

MainBlock™



New Sizes

PexChair™



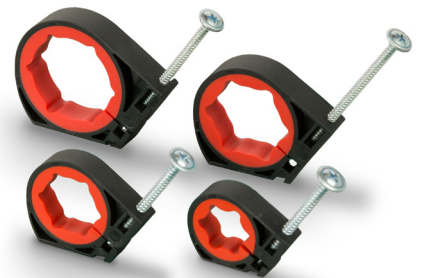
Slab Organizer for PEX

PickUp Talon™



New Sizes

PipeDown™



Acoustical PadLock™ Hangers

Catalog Edition 32

▶▶ 'New Product' Highlights *Products Cataloged for the First Time in Edition 32*

Add-A-Line™



New Design - New Styles

Brass Ball Valves



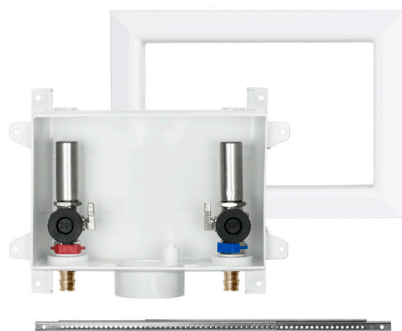
New Design - New Styles

Cinch Clamps Stainless Steel



for F1807 PEX

ClassicBox™



One-Piece Laundry
Access Box

Corrugated Stainless Steel Connectors



for Water Heater
& Water Service

IPS F438 CPVC



Fittings, Adapters
& Connectors

Fittings & Valves for PVC



Pipe/Tube Insulation



A Complete Line of Products

MiniRester™



New Designs
New Styles

'New Product' Highlights

Products Cataloged for the First Time in Edition 32

Tubular Products



A Full Line of Brass and Poly Tubular Products

GripTip™ Tubular Test Nut



FlowEasy™ Liquid Drain Cleaner



Supply Stops & Supply Tubes



New & Expanded Offering

Tubing & Hose



Vinyl & Polyethylene Tubing,
a Variety of Hose, & Fuel Line

Tubing/Hose Fittings



Compression, Flare, Brass/Nylon Thread, Pipe Nipples,
Poly Push Fittings, Hose Barb Fittings, Garden Hose Fittings,
Hose Clamps, Valves, Pool Hose Fittings